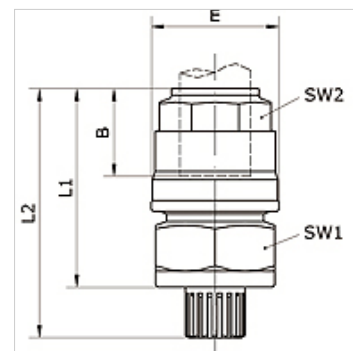


K-STECK VS ABLASS 20-63 INFI

press-lock Ø 20 mm – Ø 63 mm with condensate drain

Eigenschappen

Middelen	Compressed air, vacuum, inert gases
Werkdruk	-0,99 bar - 15 bar
Temperatuurgebied	-20 °C to +80 °C
Afdichting	NBR
Behuizing	Nickel-plated brass
Klemring	Stainless steel 1.4301
Moer	Nickel-plated brass
O-ring	NBR
Borgring	Technopolymer



Artikel

Aanduiding	Buis-buiten-Ø	B (mm)	E (mm)	L1 (mm)	L2 (mm)	SW1 (mm)	SW2 (mm)
K- 07 40 53 86	20 mm	36,0	34,5	52,5	67,0	32	30
K- 07 40 53 87	25 mm	38,5	42,5	57,5	72,0	32	35
K- 07 40 53 88	32 mm	46,0	52,0	67,5	82,0	38	45
K- 07 40 53 89	40 mm	52,0	63,0	77,0	91,5	50	55
K- 07 40 53 90	50 mm	63,5	73,0	86,5	101,0	55	65