

K-T-STECK VB 80-100 INFI

T-push-in connector Ø 80 mm/Ø 110 mm

HANSA FLEX

Eigenschappen

Middelen Compressed air, vacuum, inert gases

Werkdruk -0,99 bar - 15 bar

Temperatuurgebied -20 °C to +80 °C

Geleiding Technopolymer

Behuizing Aluminium, treated surface

Inbusschroef Galvanised steel

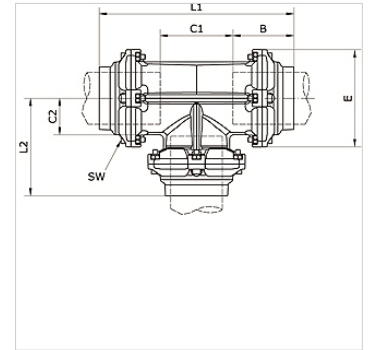
Klemring Stainless steel 1.4301

Moer Aluminium, surface treated

O-ring NBR

Zelfborgende moer Galvanised steel

Borgring Technopolymer



Artikel

Aanduiding	Buis-buiten-Ø	B (mm)	C1 (mm)	C2 (mm)	E (mm)	L1 (mm)	L2 (mm)	SW (mm)
K- 07 40 55 16	80 - 80 - 80 mm	91,0	109,0	54,5	145,0	291,5	138,0	6
K- 07 40 54 67	110 - 110 - 110 mm	125,5	150,5	75,0	200,0	401,0	200,5	8