

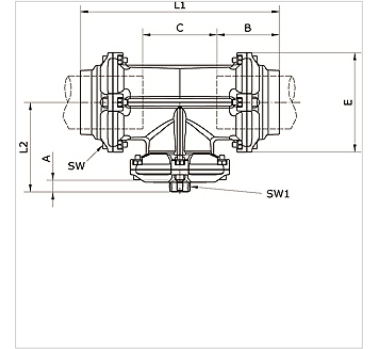
K-T-STECK VB 80-100 SCHANH RED INFI

T-push-in connector Ø 80 mm/Ø 110 mm with integrated gooseneck and reduced outlet with female thread

HANSA FLEX

Eigenschappen

| | |
|--------------------------|-------------------------------------|
| Middelen | Compressed air, vacuum, inert gases |
| Werkdruk | -0,99 bar - 15 bar |
| Temperatuurgebied | -20 °C to +80 °C |
| Geleiding | Technopolymer |
| Behuizing | Aluminium, treated surface |
| Inbusschroef | Galvanised steel |
| Klemring | Stainless steel 1.4301 |
| Moer | Aluminium, surface treated |
| O-ring | NBR |
| Zelfborgende moer | Galvanised steel |
| Borgring | Technopolymer |



Artikel

| Aanduiding | Buis-buiten-Ø | Aansluiting | A (mm) | B (mm) | C (mm) | E (mm) | L1 (mm) | L2 (mm) | SW (mm) | SW1 (mm) |
|----------------|---------------|-------------|-----------|-----------|-----------|-----------|------------|------------|------------|-------------|
| K- 07 40 55 17 | 80 - 80 mm | G 3/4 | 14,5 | 91,0 | 109,0 | 145,0 | 291,5 | 138,0 | 6 | 42 |
| K- 07 40 55 18 | 80 - 80 mm | G 1 | 17,0 | 91,0 | 109,0 | 145,0 | 291,5 | 138,0 | 6 | 49 |
| K- 07 40 55 19 | 80 - 80 mm | G 1 1/2 | 20,0 | 91,0 | 109,0 | 145,0 | 291,5 | 138,0 | 6 | 66 |
| K- 07 40 55 20 | 80 - 80 mm | G 2 | 22,0 | 91,0 | 109,0 | 145,0 | 291,5 | 138,0 | 6 | 80 |
| K- 07 40 54 69 | 110 - 110 mm | G 3/4 | 14,5 | 125,5 | 150,5 | 200,0 | 401,0 | 180,0 | 8 | 42 |
| K- 07 40 54 70 | 110 - 110 mm | G 1 | 17,0 | 125,5 | 150,5 | 200,0 | 401,0 | 180,0 | 8 | 49 |
| K- 07 40 54 71 | 110 - 110 mm | G 1 1/2 | 20,0 | 125,5 | 150,5 | 200,0 | 401,0 | 180,0 | 8 | 66 |
| K- 07 40 54 72 | 110 - 110 mm | G 2 | 22,0 | 125,5 | 150,5 | 200,0 | 401,0 | 180,0 | 8 | 80 |