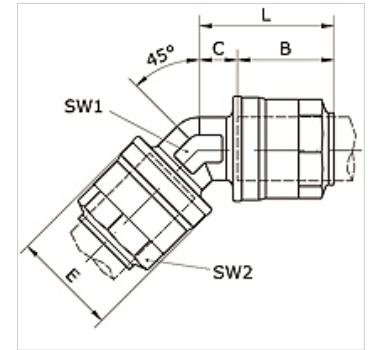


# K-W135 STECK VB 20-63 INFI

135°-elbow push-in connector Ø 20 mm – Ø 63 mm

## Eigenschappen

Middelen	Compressed air, vacuum, inert gases
Werkdruk	-0,99 bar - 15 bar
Temperatuurgebied	-20 °C to +80 °C
Afdichting	NBR
Behuizing	Nickel-plated brass
Klemring	Stainless steel 1.4301
Moer	Nickel-plated brass
O-ring	NBR
Borgring	Technopolymer



## Artikel

Aanduiding	Buis-buiten-Ø	B (mm)	C (mm)	E (mm)	L (mm)	SW1 (mm)	SW2 (mm)
K- 07 40 53 62	20 mm	31,5	12,5	34,5	44,0	21	30
K- 07 40 53 63	25 mm	38,5	13,5	42,5	52,0	26	35
K- 07 40 53 64	32 mm	46,0	15,0	52,0	61,0	34	45
K- 07 40 53 65	40 mm	52,0	18,0	63,0	70,0	41	55
K- 07 40 53 66	50 mm	63,5	20,0	73,0	83,5	50	65
K- 07 40 54 99	63 mm	57,5	24,0	94,0	82,0	73	75