

# K-W90 STECK VB 80-100 INFI

90°-elbow push-in connector Ø 80 mm/Ø 110 mm

## Eigenschappen

**Middelen** Compressed air, vacuum, inert gases

**Werkdruk** -0,99 bar - 15 bar

**Temperatuurgebied** -20 °C to +80 °C

**Geleiding** Technopolymer

**Behuizing** Aluminium, treated surface

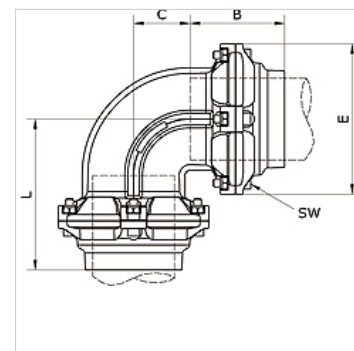
**Klemring** Stainless steel 1.4301

**Moer** Aluminium, surface treated

**O-ring** NBR

**Zelfborgende moer** Galvanised steel

**Borgring** Technopolymer



## Artikel

Aanduiding	Buis-buiten-Ø	B (mm)	C (mm)	E (mm)	L (mm)	SW (mm)
K- 07 40 55 15	80 - 80 mm	91,0	54,5	145,0	146,0	6
K- 07 40 54 66	110 - 110 mm	125,5	75,0	200,0	200,5	8