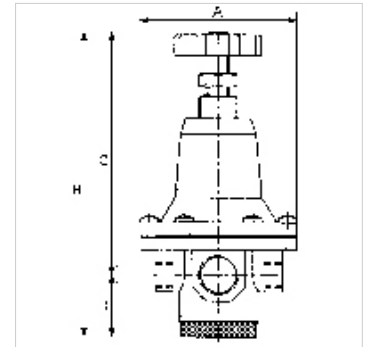


K-DBV MANO 1/2"

Pressure limiting valves size 1/2"

Eigenschappen

Constructie	Spring-loaded, non-return diaphragm valve with adjustable opening pressure
Mediumtemperatuur	max. 60 °C
Omgevingstemperatuur	Max. 60 °C
Afdichtmateriaal	NBR
Veerkap	POM/brass
Behuizing	Die-cast zinc, painted silver
Membranen	NBR



Aanwijzing

Andere gegevens op aanvraag.

Beschrijving

Manually adjustable overflow valves. For protecting pneumatic systems against damage caused by excess pressure.

Artikel

Aanduiding	Schroefdraad	Regelbereik	A (mm)	B	C (mm)	D (mm)
K- 07 25 01 97	G 1/2	0.5 - 3.0 bar	82,0	162,0 mm	129,0	33,0
K- 07 25 01 98	G 1/2	0.5 - 5.5 bar	82,0	162,0 mm	129,0	33,0
K- 07 25 01 99	G 1/2	0.5 - 10.0 bar	82,0	162,0 mm	129,0	33,0

Reserveonderdelen

K-HALTERBAUSATZ STANDARD	Holder
K-GERAETESTECKER	Coupling socket
K-SCHALLDAE SINTERBR AG 569	Silencers, sintered bronze, flat type with male thread, 569 Series
K-VERSCHLEI-SATZ	Set of wearing parts
K-KM MS	Hexagonal lock nuts, brass