

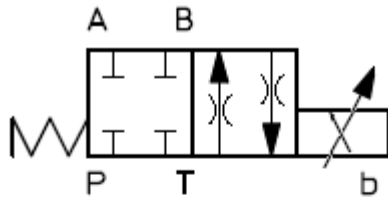
HK DHZE A

Proportional Magnetweventil NG6

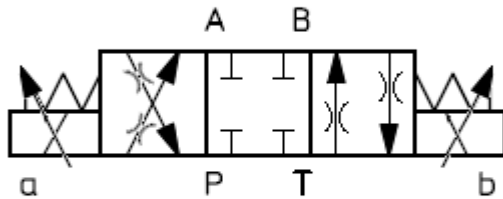
Proportional solenoid-operated directional control valve size 6



Schaltsymbole, Ausführungen / Symbols, Design



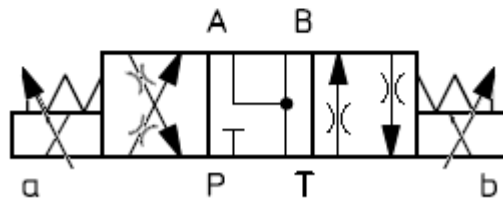
HK DHZE A 051 L5



HK DHZE A 071 D5

HK DHZE A 071 S3

HK DHZE A 071 L5



HK DHZE A 073 D5

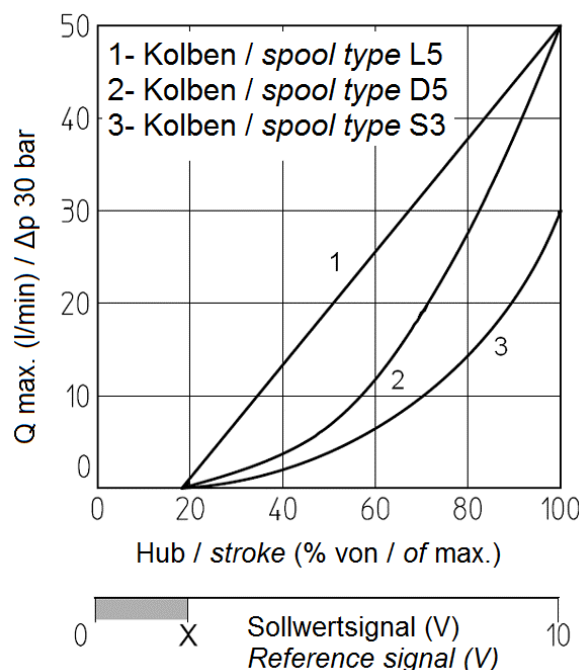
HK DHZE A 073 S3

HK DHZE A 073 L5

Diagramme, Kennlinien / Diagram, chart

Regelkennlinie HK DHZE A

Regulation diagram HK DHZE A



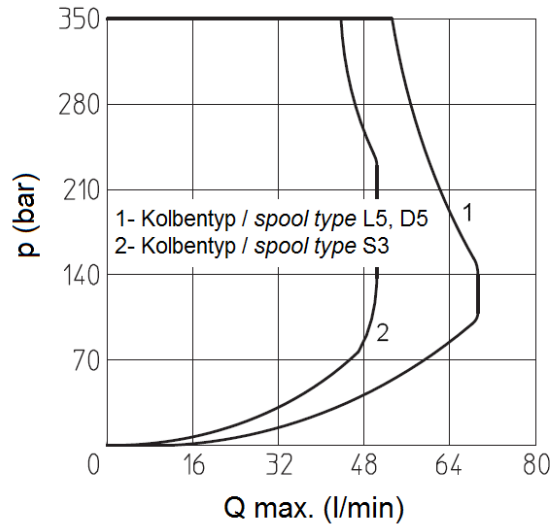
HK DHZE A

Proportional Magnetweventil NG6

Proportional solenoid-operated directional control valve size 6

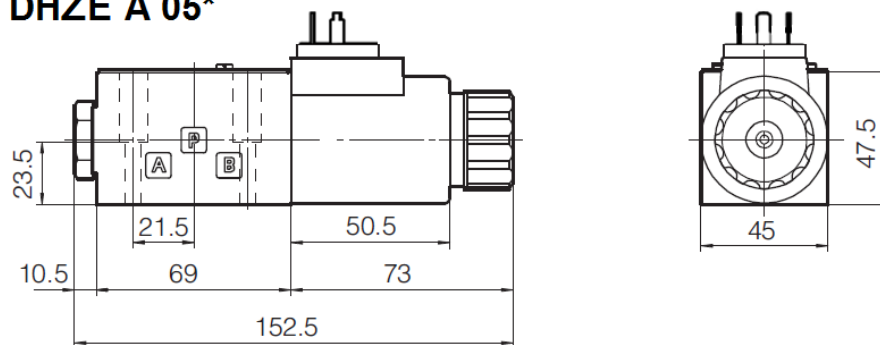
HANSA FLEX

Schaltleistungsgrenzen HK DHZE A Operating limits HK DHZE A

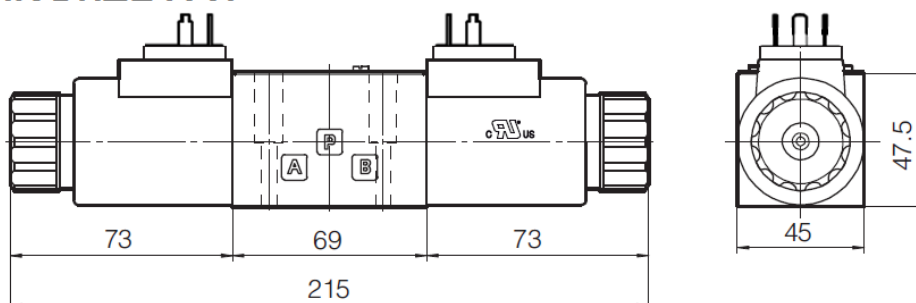


Abmessungen / Dimensions

HK DHZE A 05*



HK DHZE A 07*



Schraubensatz: 4 Inbusschrauben M5x30 12.9

Screw set: 4 socket head screws M5x30 12.9