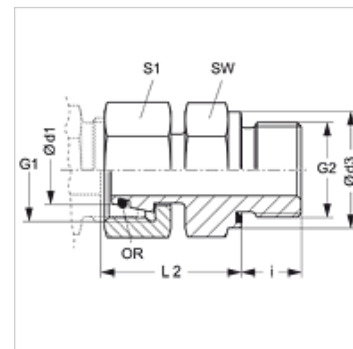


## Właściwości

|                        |                                   |
|------------------------|-----------------------------------|
| Przylącze 1            | metryczny gwint wewnętrzny        |
| Rodzaj uszczelnienia 1 | stożek zewnętrzny 24° z o-ringiem |
| Przylącze 2            | gwint zewnętrzny BSP cylindryczny |
| Rodzaj uszczelnienia 2 | forma E                           |
| Typ konstrukcji        | wkręcana dwuzłączka gwintowana    |
| Kształt                | prosty                            |
| Norma                  | DIN 2353<br>ISO 8434-1            |
| Materiał               | stal szlachetna                   |



## Wskazówka

Wskazówki do montażu, zabudowy, obciążalności ciśnieniowej i dopuszczalnych temperatur roboczych są zawarte w Informacjach Technicznych dwuzłązek rurowych.

## Wskazówki do zamówienia

Uszczelki NBR

FPM (Viton) na życzenie

## Artykuł

| Oznaczenie             | Typszereg | Ciśnienie robocze bar | Ø d1<br>(mm) | G1         | G2           | Ø d3<br>(mm) | i<br>(mm) | L2<br>(mm) | SW<br>(mm) | S1 | OR         |
|------------------------|-----------|-----------------------|--------------|------------|--------------|--------------|-----------|------------|------------|----|------------|
| AOVR NW 04 L ED VA     | L         | PN 315                | 6            | M 12 x 1,5 | G 1/8" -28   | 13,9         | 8         | 24,5       | 14         | 14 | 4,0 x 1,5  |
| AOVR NW 04 L 1/4 ED VA | L         | PN 315                | 6            | M 12 x 1,5 | G 1/4" -19   | 18,9         | 12        | 27,0       | 19         | 14 | 4,0 x 1,5  |
| AOVR NW 06 L ED VA     | L         | PN 315                | 8            | M 14 x 1,5 | G 1/4" -19   | 18,9         | 12        | 29,5       | 19         | 17 | 6,0 x 1,5  |
| AOVR NW 06 L 3/8 ED VA | L         | PN 315                | 8            | M 14 x 1,5 | G 3/8" -19   | 21,9         | 12        | 29,5       | 22         | 17 | 6,0 x 1,5  |
| AOVR NW 08 L ED VA     | L         | PN 315                | 10           | M 16 x 1,5 | G 1/4" -19   | 18,9         | 12        | 27,5       | 19         | 19 | 7,5 x 1,5  |
| AOVR NW 08 L 1/2 ED VA | L         | PN 315                | 10           | M 16 x 1,5 | G 1/2" -14   | 26,9         | 14        | 30,0       | 27         | 19 | 7,5 x 1,5  |
| AOVR NW 08 L 3/8 ED VA | L         | PN 315                | 10           | M 16 x 1,5 | G 3/8" -19   | 21,9         | 12        | 30,0       | 22         | 19 | 7,5 x 1,5  |
| AOVR NW 10 L ED VA     | L         | PN 315                | 12           | M 18 x 1,5 | G 3/8" -19   | 21,9         | 12        | 34,0       | 22         | 22 | 7,5 x 1,5  |
| AOVR NW 10 L 1/4 ED VA | L         | PN 315                | 12           | M 18 x 1,5 | G 1/4" -19   | 19,0         | 12        | 27,5       | 19         | 22 | 9,0 x 1,5  |
| AOVR NW 10 L 1/2 ED VA | L         | PN 315                | 12           | M 18 x 1,5 | G 1/2" -14   | 26,9         | 14        | 32,0       | 27         | 27 | 7,5 x 1,5  |
| AOVR NW 13 L ED VA     | L         | PN 315                | 15           | M 22 x 1,5 | G 1/2" -14   | 26,9         | 14        | 32,0       | 27         | 27 | 12,0 x 2,0 |
| AOVR NW 13 L 3/8 ED VA | L         | PN 315                | 15           | M 22 x 1,5 | G 3/8" -19   | 21,9         | 12        | 35,0       | 24         | 27 | 12,0 x 2,0 |
| AOVR NW 16 L ED VA     | L         | PN 315                | 18           | M 26 x 1,5 | G 1/2" -14   | 26,9         | 14        | 31,5       | 27         | 32 | 15,0 x 2,0 |
| AOVR NW 16 L 3/4 ED VA | L         | PN 315                | 18           | M 26 x 1,5 | G 3/4" -14   | 31,9         | 16        | 33,0       | 32         | 32 | 15,0 x 2,0 |
| AOVR NW 20 L ED VA     | L         | PN 160                | 22           | M 30 x 2   | G 3/4" -14   | 31,9         | 16        | 32,0       | 32         | 36 | 20,0 x 2,0 |
| AOVR NW 20 L 1/2 ED VA | L         | PN 160                | 22           | M 30 x 2   | G 1/2" -14   | 26,9         | 14        | 32,0       | 27         | 36 | 20,0 x 2,0 |
| AOVR NW 20 L 1 ED VA   | L         | PN 160                | 22           | M 30 x 2   | G 1" -11     | 39,9         | 18        | 51,0       | 41         | 36 | 20,0 x 2,0 |
| AOVR NW 25 L ED VA     | L         | PN 160                | 28           | M 36 x 2   | G 1" -11     | 39,9         | 18        | 35,0       | 41         | 41 | 26,0 x 2,0 |
| AOVR NW 25 L 3/4 ED VA | L         | PN 160                | 28           | M 36 x 2   | G 3/4" -14   | 31,9         | 16        | 35,0       | 32         | 41 | 26,0 x 2,0 |
| AOVR NW 32 L ED VA     | L         | PN 160                | 35           | M 45 x 2   | G 1.1/4" -11 | 49,9         | 20        | 42,5       | 50         | 50 | 32,0 x 2,5 |
| AOVR NW 40 L ED VA     | L         | PN 160                | 42           | M 52 x 2   | G 1.1/2" -11 | 54,9         | 22        | 46,5       | 55         | 60 | 38,0 x 2,5 |
| AOVR NW 03 S ED VA     | S         | PN 630                | 6            | M 14 x 1,5 | G 1/4" -19   | 18,9         | 12        | 27,0       | 19         | 17 | 4,0 x 1,5  |
| AOVR NW 04 S ED VA     | S         | PN 630                | 8            | M 16 x 1,5 | G 1/4" -19   | 18,9         | 12        | 29,5       | 19         | 19 | 6,0 x 1,5  |
| AOVR NW 04 S 3/8 ED VA | S         | PN 630                | 8            | M 16 x 1,5 | G 3/8" -19   | 21,9         | 12        | 32,0       | 22         | 19 | 6,0 x 1,5  |
| AOVR NW 06 S ED VA     | S         | PN 630                | 10           | M 18 x 1,5 | G 3/8" -19   | 21,9         | 12        | 32,0       | 22         | 22 | 7,5 x 1,5  |
| AOVR NW 06 S 1/2 ED VA | S         | PN 630                | 10           | M 18 x 1,5 | G 1/2" -14   | 26,9         | 14        | 32,0       | 27         | 22 | 7,5 x 1,5  |
| AOVR NW 08 S ED VA     | S         | PN 630                | 12           | M 20 x 1,5 | G 3/8" -19   | 21,9         | 12        | 34,0       | 22         | 24 | 9,0 x 1,5  |
| AOVR NW 08 S 1/2 ED VA | S         | PN 630                | 12           | M 20 x 1,5 | G 1/2" -14   | 27,0         | 14        | 35,0       | 27         | 24 | 9,0 x 1,5  |
| AOVR NW 08 S 1/4 ED VA | S         | PN 630                | 12           | M 20 x 1,5 | G 1/4" -19   | 18,9         | 12        | 42,0       | 19         | 24 | 9,0 x 1,5  |
| AOVR NW 10 S ED VA     | S         | PN 630                | 14           | M 22 x 1,5 | G 1/2" -14   | 26,9         | 14        | 36,5       | 27         | 27 | 10,0 x 2,0 |
| AOVR NW 13 S ED VA     | S         | PN 400                | 16           | M 24 x 1,5 | G 1/2" -14   | 26,9         | 14        | 37,0       | 27         | 30 | 12,0 x 2,0 |
| AOVR NW 13 S 3/4 ED VA | S         | PN 400                | 16           | M 24 x 1,5 | G 3/4" -14   | 31,9         | 16        | 39,0       | 32         | 30 | 12,0 x 2,0 |
| AOVR NW 13 S 3/8 ED VA | S         | PN 400                | 16           | M 24 x 1,5 | G 3/8" -19   | 21,9         | 12        | 37,0       | 24         | 30 | 12,0 x 2,0 |
| AOVR NW 16 S ED VA     | S         | PN 400                | 20           | M 30 x 2   | G 3/4" -14   | 31,9         | 16        | 42,5       | 32         | 36 | 16,3 x 2,4 |
| AOVR NW 16 S 1/2 ED VA | S         | PN 400                | 20           | M 30 x 2   | G 1/2" -14   | 26,9         | 14        | 38,0       | 27         | 36 | 16,3 x 2,4 |
| AOVR NW 16 S 1 ED VA   | S         | PN 400                | 20           | M 30 x 2   | G 1" -11     | 39,9         | 18        | 55,0       | 41         | 36 | 16,3 x 2,4 |
| AOVR NW 20 S ED VA     | S         | PN 400                | 25           | M 36 x 2   | G 1" -11     | 39,9         | 18        | 47,5       | 41         | 46 | 20,3 x 2,4 |
| AOVR NW 20 S 3/4 ED VA | S         | PN 400                | 25           | M 36 x 2   | G 3/4" -14   | 31,9         | 16        | 58,0       | 32         | 46 | 20,3 x 2,4 |
| AOVR NW 25 S ED VA     | S         | PN 400                | 30           | M 42 x 2   | G 1.1/4" -11 | 49,9         | 20        | 51,0       | 50         | 50 | 25,3 x 2,4 |



# AOVR ED VA

Wkręcana dwuzłączka gwintowana

**HANSA FLEX**

## Artykuł

| Oznaczenie         | Typoszereg | Ciśnienie robocze bar | Ø d1 (mm) | G1       | G2           | Ø d3 (mm) | i (mm) | L2 (mm) | SW (mm) | S1 | OR         |
|--------------------|------------|-----------------------|-----------|----------|--------------|-----------|--------|---------|---------|----|------------|
| AOVR NW 32 S ED VA | S          | PN 315                | 38        | M 52 x 2 | G 1.1/2" -11 | 54,9      | 22     | 59,5    | 55      | 60 | 33,3 x 2,4 |

typoszereg: LL = bardzo lekki L = lekki S = ciężki - PN = ciśnienie znamionowe PB = maks. ciśnienie robocze - Ø d1 = średnica zewnętrzna rury

## Warianty produktu

AOVR ED Wkręcana dwuzłączka gwintowana, stal

## Części zamienne

WD V Uszczelka miękka JIC