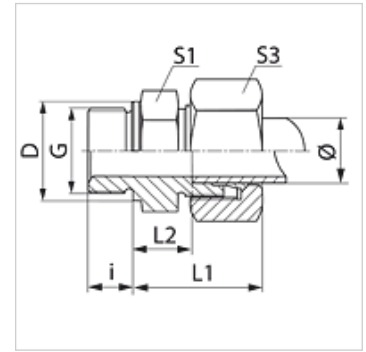


## Właściwości

|                        |   |
|------------------------|---|
| Przyłącze 1            | metryczny gwint zewnętrzny cylindryczny                 |
| Rodzaj uszczelnienia 1 | forma B   |
| Przyłącze 2            | metryczny gwint zewnętrzny cylindryczny                 |
| Rodzaj uszczelnienia 2 | stożek wewnętrzny 24°                                   |
| Typ konstrukcji        | wkręcana dwuzłączka gwintowana                          |
| Kształt                | prosty  |
| Norma                  | DIN 2353<br>ISO 8434-1                                  |
| Zakres dostawy         | króciec z nakrętką kołpakową i pierścieniem zacinającym |
| Materiał               | stal  |
| Ochrona powierzchni    | galwanizowany   |



## Wskazówka

Wskazówki do montażu, zabudowy, obciążalności ciśnieniowej i dopuszczalnych temperatur roboczych są zawarte w Informacjach Technicznych dwuzłązek rurowych.

## Artykuł

| Oznaczenie         | Typoszereg | Ciśnienie robocze bar | Średnica zewnętrzna rury Ø (mm) | G          | D (mm) | i (mm) | L1 (mm) | L2 (mm) | S1 | S3 |
|--------------------|------------|-----------------------|---------------------------------|------------|--------|--------|---------|---------|----|----|
| VM 16 LL           | LL         | PN 100                | 16                              | M 22 x 1,5 | 27     | 14     | 44,0    | 15,0    | 27 | 27 |
| VM 16 LL 16-1.5    | LL         | PN 100                | 16                              | M 16 x 1,5 | 21     | 12     | 40,5    | 13,5    | 24 | 27 |
| VM 16 LL 18-1.5    | LL         | PN 100                | 16                              | M 18 x 1,5 | 23     | 12     | 40,5    | 13,5    | 24 | 27 |
| VM NW 04 HL        | L          | PN 315                | 6                               | M 10 x 1   | 14     | 8      | 23,0    | 8,5     | 14 | 14 |
| VM NW 04 HL 12     | L          | PN 315                | 6                               | M 12 x 1,5 | 17     | 12     | 25,0    | 10,0    | 17 | 14 |
| VM NW 04 HL 14     | L          | PN 315                | 6                               | M 14 x 1,5 | 19     | 12     | 25,0    | 10,0    | 19 | 14 |
| VM NW 04 HL 16     | L          | PN 315                | 6                               | M 16 x 1,5 | 21     | 12     | 25,0    | 11,5    | 22 | 14 |
| VM NW 04 HL 18     | L          | PN 315                | 6                               | M 18 x 1,5 | 23     | 12     | 24,5    | 11,5    | 24 | 14 |
| VM NW 04 HL 22     | L          | PN 315                | 6                               | M 22 x 1,5 | 27     | 14     | 28,0    | 13,0    | 27 | 14 |
| VM NW 06 HL        | L          | PN 315                | 8                               | M 12 x 1,5 | 17     | 12     | 25,0    | 10,0    | 17 | 17 |
| VM NW 06 HL 10     | L          | PN 315                | 8                               | M 10 x 1   | 17     | 8      | 25,0    | 10,0    | 17 | 17 |
| VM NW 06 HL 14     | L          | PN 315                | 8                               | M 14 x 1,5 | 19     | 12     | 25,0    | 10,0    | 19 | 17 |
| VM NW 06 HL 16     | L          | PN 315                | 8                               | M 16 x 1,5 | 21     | 12     | 26,0    | 11,5    | 22 | 17 |
| VM NW 06 HL 18     | L          | PN 315                | 8                               | M 18 x 1,5 | 23     | 12     | 26,0    | 11,5    | 24 | 17 |
| VM NW 06 HL 22     | L          | PN 315                | 8                               | M 22 x 1,5 | 27     | 14     | 28,0    | 13,0    | 27 | 17 |
| VM NW 08 HL        | L          | PN 315                | 10                              | M 14 x 1,5 | 19     | 12     | 26,0    | 11,0    | 19 | 19 |
| VM NW 08 HL 12     | L          | PN 315                | 10                              | M 12 x 1,5 | 17     | 12     | 26,0    | 11,0    | 17 | 19 |
| VM NW 08 HL 16     | L          | PN 315                | 10                              | M 16 x 1,5 | 22     | 12     | 27,5    | 12,5    | 22 | 19 |
| VM NW 08 HL 18     | L          | PN 315                | 10                              | M 18 x 1,5 | 23     | 12     | 27,5    | 12,5    | 24 | 19 |
| VM NW 08 HL 22     | L          | PN 315                | 10                              | M 22 x 1,5 | 27     | 14     | 29,0    | 14,0    | 27 | 19 |
| VM NW 10 HL        | L          | PN 315                | 12                              | M 16 x 1,5 | 21     | 12     | 27,0    | 12,5    | 22 | 22 |
| VM NW 10 HL 12     | L          | PN 315                | 12                              | M 12 x 1,5 | 17     | 12     | 26,0    | 11,0    | 19 | 22 |
| VM NW 10 HL 14     | L          | PN 315                | 12                              | M 14 x 1,5 | 19     | 12     | 27,0    | 12,5    | 22 | 22 |
| VM NW 10 HL 18     | L          | PN 315                | 12                              | M 18 x 1,5 | 23     | 12     | 27,0    | 12,5    | 24 | 22 |
| VM NW 10 HL 22     | L          | PN 315                | 12                              | M 22 x 1,5 | 27     | 14     | 28,5    | 14,0    | 27 | 22 |
| VM NW 10 HL 24     | L          | PN 315                | 12                              | M 24 x 1,5 | 27     | 14     | 28,5    | 14,0    | 27 | 22 |
| VM NW 10 HL 26     | L          | PN 315                | 12                              | M 26 x 1,5 | 27     | 14     | 28,5    | 14,0    | 27 | 22 |
| VM NW 13 HL        | L          | PN 315                | 15                              | M 18 x 1,5 | 23     | 12     | 29,0    | 13,5    | 24 | 27 |
| VM NW 13 HL 14     | L          | PN 315                | 15                              | M 14 x 1,5 | 19     | 12     | 29,0    | 13,5    | 24 | 27 |
| VM NW 13 HL 16     | L          | PN 315                | 15                              | M 16 x 1,5 | 21     | 12     | 29,0    | 13,5    | 24 | 27 |
| VM NW 13 HL 22     | L          | PN 315                | 15                              | M 22 x 1,5 | 27     | 14     | 30,5    | 15,0    | 27 | 27 |
| VM NW 13 HL 26     | L          | PN 315                | 15                              | M 26 x 1,5 | 31     | 16     | 30,5    | 15,0    | 32 | 27 |
| VM NW 13 HL 30     | L          | PN 315                | 15                              | M 30 x 2   | 39     | 16     | 30,5    | 15,0    | 41 | 27 |
| VM NW 16 HL        | L          | PN 315                | 18                              | M 22 x 1,5 | 27     | 14     | 31,0    | 14,5    | 27 | 32 |
| VM NW 16 HL 18     | L          | PN 315                | 18                              | M 18 x 1,5 | 23     | 12     | 30,5    | 14,0    | 27 | 32 |
| VM NW 16 HL 26     | L          | PN 315                | 18                              | M 26 x 1,5 | 31     | 16     | 31,0    | 14,5    | 32 | 32 |
| VM NW 16 HL 27     | L          | PN 315                | 18                              | M 27 x 2   | 31     | 16     | 31,0    | 14,5    | 32 | 32 |
| VM NW 16 HL 30-1.5 | L          | PN 315                | 18                              | M 30 x 1,5 | 39     | 16     | 31,0    | 15,0    | 41 | 27 |
| VM NW 20 HL        | L          | PN 160                | 22                              | M 26 x 1,5 | 31     | 16     | 33,0    | 16,5    | 32 | 36 |
| VM NW 20 HL 18     | L          | PN 160                | 22                              | M 18 x 1,5 | 27     | 14     | 31,0    | 14,5    | 27 | 36 |
| VM NW 20 HL 22     | L          | PN 160                | 22                              | M 22 x 1,5 | 27     | 14     | 33,0    | 16,5    | 32 | 36 |



## Artykuł

| Oznaczenie         | Typoszereg | Ciśnienie robocze bar | Średnica zewnętrzna rury Ø (mm) | G          | D (mm) | i (mm) | L1 (mm) | L2 (mm) | S1 | S3 |
|--------------------|------------|-----------------------|---------------------------------|------------|--------|--------|---------|---------|----|----|
| VM NW 20 HL 30-1.5 | L          | PN 160                | 22                              | M 30 x 1,5 | 39     | 14     | 33,0    | 16,5    | 41 | 36 |
| VM NW 25 HL        | L          | PN 160                | 28                              | M 33 x 2   | 39     | 18     | 34,0    | 17,5    | 41 | 41 |
| VM NW 25 HL 22     | L          | PN 160                | 28                              | M 22 x 1,5 | 27     | 18     | 34,0    | 17,5    | 32 | 41 |
| VM NW 25 HL 26     | L          | PN 160                | 28                              | M 26 x 1,5 | 31     | 16     | 34,0    | 17,5    | 41 | 41 |
| VM NW 25 HL 27     | L          | PN 160                | 28                              | M 27 x 2   | 39     | 20     | 34,0    | 17,5    | 41 | 41 |
| VM NW 25 HL 42     | L          | PN 160                | 28                              | M 42 x 2   | 55     | 22     | 34,0    | 19,0    | 55 | 41 |
| VM NW 32 HL        | L          | PN 160                | 35                              | M 42 x 2   | 49     | 20     | 39,0    | 17,5    | 50 | 50 |
| VM NW 40 HL        | L          | PN 160                | 42                              | M 48 x 2   | 55     | 22     | 42,0    | 19,0    | 55 | 60 |
| VM NW 03 HS        | S          | PN 400                | 6                               | M 12 x 1,5 | 17     | 12     | 28,0    | 13,0    | 17 | 17 |
| VM NW 03 HS 16     | S          | PN 400                | 6                               | M 16 x 1,5 | 21     | 12     | 28,0    | 13,0    | 17 | 17 |
| VM NW 03 HS 18     | S          | PN 400                | 6                               | M 18 x 1,5 | 27     | 14     | 28,0    | 13,0    | 19 | 17 |
| VM NW 03 HS 22     | S          | PN 400                | 6                               | M 22 x 1,5 | 25     | 14     | 28,0    | 13,0    | 19 | 17 |
| VM NW 04 HS        | S          | PN 400                | 8                               | M 14 x 1,5 | 19     | 12     | 30,0    | 15,0    | 19 | 19 |
| VM NW 06 HS        | S          | PN 400                | 10                              | M 16 x 1,5 | 21     | 12     | 31,0    | 15,0    | 22 | 22 |
| VM NW 06 HS 18     | S          | PN 400                | 10                              | M 18 x 1,5 | 27     | 14     | 31,0    | 15,0    | 22 | 22 |
| VM NW 06 HS 22     | S          | PN 400                | 10                              | M 22 x 1,5 | 27     | 14     | 31,0    | 15,0    | 24 | 22 |
| VM NW 08 HS        | S          | PN 400                | 12                              | M 18 x 1,5 | 23     | 12     | 33,0    | 17,0    | 24 | 24 |
| VM NW 08 HS 14     | S          | PN 400                | 12                              | M 14 x 1,5 | 21     | 12     | 33,0    | 17,0    | 19 | 24 |
| VM NW 08 HS 16     | S          | PN 400                | 12                              | M 16 x 1,5 | 21     | 12     | 29,0    | 17,0    | 24 | 24 |
| VM NW 08 HS 22     | S          | PN 400                | 12                              | M 22 x 1,5 | 27     | 14     | 33,5    | 17,5    | 27 | 24 |
| VM NW 10 HS        | S          | PN 400                | 14                              | M 20 x 1,5 | 25     | 14     | 37,0    | 19,0    | 27 | 27 |
| VM NW 10 HS 16     | S          | PN 400                | 14                              | M 16 x 1,5 | 21     | 12     | 37,0    | 19,0    | 24 | 27 |
| VM NW 10 HS 18     | S          | PN 400                | 14                              | M 18 x 1,5 | 27     | 14     | 37,0    | 19,0    | 24 | 27 |
| VM NW 10 HS 22     | S          | PN 400                | 14                              | M 22 x 1,5 | 27     | 14     | 37,0    | 19,0    | 27 | 27 |
| VM NW 13 HS        | S          | PN 400                | 16                              | M 22 x 1,5 | 27     | 14     | 37,0    | 18,5    | 27 | 30 |
| VM NW 13 HS 16     | S          | PN 400                | 16                              | M 16 x 1,5 | 21     | 12     | 37,0    | 18,5    | 24 | 30 |
| VM NW 13 HS 18     | S          | PN 400                | 16                              | M 18 x 1,5 | 23     | 12     | 37,0    | 18,5    | 27 | 30 |
| VM NW 13 HS 26     | S          | PN 400                | 16                              | M 26 x 1,5 | 32     | 16     | 37,0    | 18,5    | 32 | 30 |
| VM NW 16 HS        | S          | PN 400                | 20                              | M 27 x 2   | 32     | 16     | 42,0    | 20,5    | 32 | 36 |
| VM NW 16 HS 22     | S          | PN 400                | 20                              | M 22 x 1,5 | 27     | 14     | 42,0    | 20,5    | 32 | 36 |
| VM NW 16 HS 30-1.5 | S          | PN 400                | 20                              | M 30 x 1,5 | 39     | 18     | 42,0    | 20,5    | 36 | 36 |
| VM NW 20 HS        | S          | PN 250                | 25                              | M 33 x 2   | 39     | 18     | 47,0    | 23,0    | 41 | 46 |
| VM NW 20 HS 27     | S          | PN 250                | 25                              | M 27 x 2   | 32     | 16     | 47,0    | 23,0    | 41 | 46 |
| VM NW 25 HS        | S          | PN 160                | 30                              | M 42 x 2   | 49     | 20     | 50,0    | 23,5    | 50 | 50 |
| VM NW 32 HS        | S          | PN 160                | 38                              | M 48 x 2   | 55     | 22     | 57,0    | 26,0    | 55 | 60 |

typoszereg: LL = bardzo lekki L = lekki S = ciężki - PN = ciśnienie znamionowe PB = maks. ciśnienie robocze - Ø = średnica zewnętrzna rury

## Warianty produktu

|       |   |
|-------|---|
| VM MG | Wkręcana dwuzłączka gwintowana, mosiądz         |
| VM VA | Wkręcana dwuzłączka gwintowana, stal szlachetna |
| XVM   | Wkręcana dwuzłączka gwintowana, stal            |