

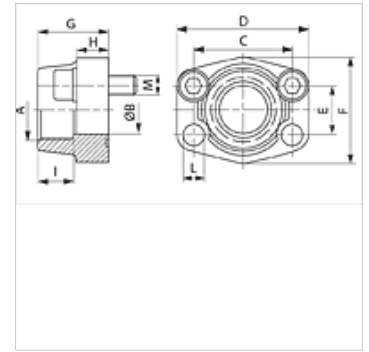
AFS N U (3000 / 6000 PSI)

Kołnierz wkręcany SAE, NPT

HANSA FLEX

Właściwości

| | |
|----------------------------|---------------------------------|
| Norma | SAE J 518 C ISO 6162 |
| Kształt | prosty |
| Typ konstrukcji | kołnierz wkręcany SAE |
| Zamocowanie | otwór pod śrubę |
| Zakres dostawy | z zestawem śrub UNC i o-ringiem |
| Materiał | S355J2G3 (ST52.3) |
| Ochrona powierzchni | czarny olejowany |



Wskazówka

Podane maksymalne ciśnienie robocze dotyczy kołnierza! Rzeczywiste ciśnienie robocze określa rura (grubość ścianki) oraz jakość rury!

Artykuł

| Oznaczenie | Szereg ciśnieniowy | PB 10.9 (bar) | Typowielk-ość | A | Ø B | C | D | E | F | G | H | I | L | M (unc) |
|-------------------|--------------------|---------------|---------------|------------------|------|-------|------|------|------|------|------|------|------|----------------|
| | | | | | (mm) | (mm) | (mm) | (mm) | (mm) | (mm) | (mm) | (mm) | (mm) | |
| AFS 80 N 1/2 U | 3000 PSI | 350 | 1/2" | NPT 1/2" -14 | 13 | 38,1 | 54 | 17,5 | 46 | 36 | 16 | 19 | 9,0 | 5/16" x 1.1/4" |
| AFS 80 N 3/8 U | 3000 PSI | 350 | 1/2" | NPT 3/8" -18 | 13 | 38,1 | 54 | 17,5 | 46 | 36 | 16 | 19 | 9,0 | 5/16" x 1.1/4" |
| AFS 100 N 1/2 U | 3000 PSI | 350 | 3/4" | NPT 1/2" -14 | 13 | 47,6 | 65 | 22,2 | 50 | 36 | 18 | 19 | 11,0 | 3/8" x 1.1/2" |
| AFS 100 N 3/4 U | 3000 PSI | 350 | 3/4" | NPT 3/4" -14 | 19 | 47,6 | 65 | 22,2 | 50 | 36 | 18 | 19 | 11,0 | 3/8" x 1.1/2" |
| AFS 102 N 3/4 U | 3000 PSI | 315 | 1" | NPT 3/4" -14 | 19 | 52,4 | 70 | 26,2 | 55 | 35 | 21 | 19 | 11,0 | 3/8" x 1.1/2" |
| AFS 102 N 1 U | 3000 PSI | 315 | 1" | NPT 1" -11,5 | 25 | 52,4 | 70 | 26,2 | 55 | 38 | 18 | 22 | 11,0 | 3/8" x 1.1/2" |
| AFS 104 N 1 U | 3000 PSI | 250 | 1.1/4" | NPT 1" -11,5 | 25 | 58,7 | 81 | 30,2 | 65 | 42 | 25 | 22 | 11,5 | 7/16" x 1.1/2" |
| AFS 104 N 1 1/4 U | 3000 PSI | 250 | 1.1/4" | NPT 1.1/4" -11,5 | 32 | 58,7 | 79 | 30,2 | 68 | 41 | 21 | 22 | 11,5 | 7/16" x 1.1/2" |
| AFS 106 N 1 1/4 U | 3000 PSI | 200 | 1.1/2" | NPT 1.1/4" -11,5 | 32 | 69,9 | 95 | 35,7 | 78 | 45 | 27 | 24 | 13,5 | 1/2" x 1.3/4" |
| AFS 106 N 1 1/2 U | 3000 PSI | 200 | 1.1/2" | NPT 1.1/2" | 38 | 69,9 | 93 | 35,7 | 78 | 45 | 25 | 24 | 13,5 | 1/2" x 1.3/4" |
| AFS 108 N 1 1/2 U | 3000 PSI | 200 | 2" | NPT 1.1/2" | 38 | 77,8 | 102 | 42,9 | 90 | 45 | 25 | 26 | 13,5 | 1/2" x 1.3/4" |
| AFS 108 N 2 U | 3000 PSI | 200 | 2" | NPT 2" -11,5 | 51 | 77,8 | 102 | 42,9 | 90 | 45 | 25 | 30 | 13,5 | 1/2" x 1.3/4" |
| AFS 110 N 2 1/2 U | 3000 PSI | 160 | 2.1/2" | NPT 2.1/2" -11,5 | 63 | 88,9 | 114 | 50,8 | 105 | 50 | 25 | 30 | 13,5 | 1/2" x 1.3/4" |
| AFS 112 N U | 3000 PSI | 138 | 3" | NPT 3" -11,5 | 73 | 106,4 | 134 | 61,9 | 124 | 50 | 27 | 34 | 17,5 | 5/8" x 2" |
| AFS 114 N U | 3000 PSI | 35 | 3.1/2" | NPT 3.1/2" -11,5 | 89 | 120,7 | 152 | 69,9 | 136 | 48 | 27 | 34 | 17,5 | 5/8" x 2" |
| AFS 116 N U | 3000 PSI | 35 | 4" | NPT 4" -11,5 | 99 | 130,2 | 162 | 77,8 | 146 | 48 | 27 | 34 | 17,5 | 5/8" x 2" |
| AFS 401 N U | 6000 PSI | 400 | 1/2" | NPT 1/2" -14 | 13 | 40,5 | 54 | 18,2 | 46 | 36 | 16 | 19 | 9,0 | 5/16" x 1.1/4" |
| AFS 401 N 3/8 U | 6000 PSI | 400 | 1/2" | NPT 3/8" -18 | 13 | 40,5 | 54 | 18,2 | 46 | 36 | 16 | 19 | 9,0 | 5/16" x 1.1/4" |
| AFS 402 N U | 6000 PSI | 400 | 3/4" | NPT 3/4" -14 | 19 | 50,8 | 71 | 23,8 | 55 | 35 | 21 | 22 | 11,0 | 3/8" x 1.1/2" |
| AFS 402 N 1/2 U | 6000 PSI | 400 | 3/4" | NPT 1/2" -14 | 13 | 50,8 | 71 | 23,8 | 55 | 35 | 21 | 22 | 11,0 | 3/8" x 1.1/2" |
| AFS 403 N U | 6000 PSI | 400 | 1" | NPT 1" -11,5 | 25 | 57,2 | 81 | 27,8 | 65 | 42 | 25 | 24 | 13,0 | 7/16" x 1.3/4" |
| AFS 403 N 3/4 U | 6000 PSI | 400 | 1" | NPT 3/4" -14 | 19 | 57,2 | 81 | 27,8 | 65 | 42 | 25 | 24 | 13,0 | 7/16" x 1.3/4" |
| AFS 404 N U | 6000 PSI | 400 | 1.1/4" | NPT 1.1/4" -11,5 | 32 | 66,7 | 95 | 31,8 | 78 | 45 | 27 | 25 | 13,5 | 1/2" x 1.3/4" |
| AFS 404 N 1 U | 6000 PSI | 400 | 1.1/4" | NPT 1" -11,5 | 25 | 66,7 | 95 | 31,8 | 78 | 45 | 27 | 25 | 13,5 | 1/2" x 1.3/4" |
| AFS 405 N U | 6000 PSI | 400 | 1.1/2" | NPT 1.1/2" | 38 | 79,4 | 112 | 36,5 | 94 | 50 | 30 | 28 | 17,0 | 5/8" x 2" |
| AFS 405 N 1 1/4 U | 6000 PSI | 400 | 1.1/2" | NPT 1.1/4" -11,5 | 32 | 79,4 | 112 | 36,5 | 94 | 50 | 30 | 28 | 17,0 | 5/8" x 2" |
| AFS 406 N U | 6000 PSI | 400 | 2" | NPT 2" -11,5 | 51 | 96,8 | 134 | 44,5 | 114 | 65 | 37 | 30 | 21,0 | 3/4" x 2.1/2" |
| AFS 406 N 1 1/2 U | 6000 PSI | 400 | 2" | NPT 1.1/2" | 38 | 96,8 | 134 | 44,5 | 114 | 65 | 37 | 30 | 21,0 | 3/4" x 2.1/2" |

PN = ciśnienie znamionowe PB = maks. ciśnienie robocze

Warianty produktu

| | |
|----------------------------------|---|
| AFS N (3000 PSI) | Kołnierz wkręcany SAE, NPT, tylko kołnierz |
| AFS N M (3000 / 6000 PSI) | Kołnierz wkręcany SAE, NPT, z zestawem śrub metrycznych i o-ringiem |