

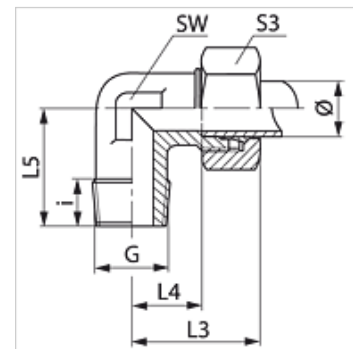
WRK VA

Dwuzłączka wkręcana, kąt 90°

HANSA FLEX

Właściwości

| | |
|------------------------|---|
| Przyłącze 1 | gwint zewnętrzny BSPT stożkowy |
| Rodzaj uszczelnienia 1 | uszczelnia gwint |
| Przyłącze 2 | metryczny gwint zewnętrzny cylindryczny |
| Rodzaj uszczelnienia 2 | stożek wewnętrzny 24° |
| Typ konstrukcji | wkręcana dwuzłączka gwintowana |
| Kształt | kąt 90° |
| Norma | DIN 2353 ISO 8434-1 |
| Zakres dostawy | króciec z nakrętką kołpakową i pierścieniem zacinającym |
| Materiał | stal szlachetna |



Wskazówka

Wskazówki do montażu, zabudowy, obciążalności ciśnieniowej i dopuszczalnych temperatur roboczych są zawarte w Informacjach Technicznych dwuzłączek rurowych.

Artykuł

| Oznaczenie | Typozereg | Ciśnienie robocze bar | Średnica zewnętrzna rury Ø G (mm) | i (mm) | L3 (mm) | L4 (mm) | L5 (mm) | SW (mm) | S3 (mm) | |
|--------------------|-----------|-----------------------|--------------------------------------|-----------|------------|------------|------------|------------|------------|----|
| WR 04 LL VA | LL | PN 100 | 4 | R 1/8" K | 8 | 21,0 | 11,0 | 18 | 11 | 10 |
| WR 06 LL VA | LL | PN 100 | 6 | R 1/8" K | 8 | 22,0 | 10,0 | 17 | 11 | 12 |
| WR 08 LL VA | LL | PN 100 | 8 | R 1/8" K | 8 | 23,0 | 11,5 | 20 | 12 | 14 |
| WR NW 04 HL VA | L | PN 315 | 6 | R 1/8" K | 8 | 27,0 | 12,0 | 20 | 12 | 14 |
| WR NW 04 HL 1/4 VA | L | PN 315 | 6 | R 1/4" K | 12 | 29,0 | 14,0 | 26 | 12 | 14 |
| WR NW 04 HL 3/8 VA | L | PN 315 | 6 | R 3/8" K | 12 | 29,0 | 14,0 | 26 | 12 | 14 |
| WR NW 04 HL 1/2 VA | L | PN 315 | 6 | R 1/2" K | 14 | 30,5 | 15,5 | 30 | 17 | 14 |
| WR NW 06 HL 1/8 VA | L | PN 315 | 8 | R 1/8" K | 8 | 29,0 | 14,0 | 26 | 12 | 17 |
| WR NW 06 HL VA | L | PN 315 | 8 | R 1/4" K | 12 | 29,0 | 14,0 | 26 | 12 | 17 |
| WR NW 06 HL 3/8 VA | L | PN 315 | 8 | R 3/8" K | 12 | 34,0 | 19,0 | 28 | 17 | 17 |
| WR NW 06 HL 1/2 VA | L | PN 315 | 8 | R 1/2" K | 13 | 34,0 | 19,0 | 30 | 17 | 17 |
| WR NW 08 HL 1/8 VA | L | PN 315 | 10 | R 1/8" K | 8 | 30,0 | 15,0 | 26 | 14 | 19 |
| WR NW 08 HL VA | L | PN 315 | 10 | R 1/4" K | 12 | 30,0 | 15,0 | 27 | 14 | 19 |
| WR NW 08 HL 3/8 VA | L | PN 315 | 10 | R 3/8" K | 12 | 32,0 | 17,0 | 28 | 17 | 19 |
| WR NW 08 HL 1/2 VA | L | PN 316 | 10 | R 1/2" K | 14 | 38,0 | 23,0 | 34 | 19 | 19 |
| WR NW 10 HL 1/8 VA | L | PN 315 | 12 | R 1/8" K | 8 | 32,0 | 17,5 | 27 | 17 | 22 |
| WR NW 10 HL 1/4 VA | L | PN 315 | 12 | R 1/4" K | 12 | 32,0 | 17,0 | 28 | 17 | 22 |
| WR NW 10 HL VA | L | PN 315 | 12 | R 3/8" K | 12 | 32,0 | 17,0 | 28 | 17 | 22 |
| WR NW 10 HL 1/2 VA | L | PN 315 | 12 | R 1/2" K | 14 | 38,0 | 23,0 | 34 | 19 | 22 |
| WR NW 13 HL 1/4 VA | L | PN 315 | 15 | R 1/4" K | 12 | 36,0 | 21,0 | 30 | 19 | 27 |
| WR NW 13 HL 3/8 VA | L | PN 315 | 15 | R 3/8" K | 12 | 36,0 | 21,0 | 34 | 19 | 27 |
| WR NW 13 HL VA | L | PN 315 | 15 | R 1/2" K | 14 | 36,0 | 21,0 | 34 | 19 | 27 |
| WR NW 13 HL 3/4 VA | L | PN 160 | 15 | R 3/4" K | 16 | 36,0 | 21,0 | 34 | 24 | 27 |
| WR NW 16 HL 3/8 VA | L | PN 315 | 18 | R 3/8" K | 12 | 40,0 | 23,5 | 34 | 24 | 32 |
| WR NW 16 HL VA | L | PN 315 | 18 | R 1/2" K | 14 | 40,0 | 23,5 | 36 | 24 | 32 |
| WR NW 16 HL 3/4 VA | L | PN 160 | 18 | R 3/4" K | 16 | 36,0 | 27,5 | 44 | 27 | 32 |
| WR NW 20 HL 1/2 VA | L | PN 160 | 22 | R 1/2" K | 14 | 44,0 | 27,5 | 41 | 27 | 36 |
| WRK NW 20 HL VA | L | PN 160 | 22 | R 3/4" K | 16 | 44,0 | 27,5 | 31 | 27 | 36 |
| WRK NW 25 HL VA | L | PN 160 | 28 | R 1" K | 20 | 51,5 | 30,5 | 47 | 36 | 41 |
| WR NW 03 HS 1/8 VA | S | PN 400 | 6 | R 1/8" K | 8 | 29,5 | 15,0 | 25 | 8 | 12 |
| WR NW 03 HS VA | S | PN 400 | 6 | R 1/4" K | 12 | 31,0 | 16,0 | 26 | 12 | 17 |
| WR NW 03 HS 3/8 VA | S | PN 400 | 6 | R 3/8" K | 12 | 32,0 | 17,5 | 27 | 14 | 17 |
| WR NW 03 HS 1/2 VA | S | PN 400 | 6 | R 1/2" K | 14 | 34,0 | 19,0 | 33 | 17 | 17 |
| WR NW 04 HS VA | S | PN 400 | 8 | R 1/4" K | 12 | 32,0 | 17,0 | 27 | 17 | 19 |
| WR NW 04 HS 3/8 VA | S | PN 400 | 8 | R 3/8" K | 12 | 33,0 | 18,0 | 28 | 14 | 19 |
| WR NW 04 HS 1/2 VA | S | PN 400 | 8 | R 1/2" K | 14 | 38,0 | 23,0 | 33 | 17 | 19 |
| WR NW 06 HS 1/4 VA | S | PN 400 | 10 | R 1/4" K | 12 | 34,0 | 17,5 | 28 | 17 | 22 |
| WR NW 06 HS VA | S | PN 400 | 10 | R 3/8" K | 12 | 34,0 | 17,5 | 28 | 17 | 22 |
| WR NW 06 HS 1/2 VA | S | PN 400 | 10 | R 1/2" K | 14 | 39,0 | 22,5 | 32 | 17 | 22 |
| WR NW 08 HS 1/4 VA | S | PN 400 | 12 | R 1/4" K | 12 | 38,0 | 21,5 | 27 | 17 | 24 |



WRK VA

Dwuzłączka wkręcana, kąt 90°

HANSA FLEX

Artykuł

| Oznaczenie | Typoszereg | Ciśnienie robocze bar | Średnica zewnętrzna rury Ø G (mm) | i (mm) | L3 (mm) | L4 (mm) | L5 (mm) | SW (mm) | S3 (mm) | |
|--------------------|------------|-----------------------|--------------------------------------|-----------|------------|------------|------------|------------|------------|----|
| WR NW 08 HS VA | S | PN 400 | 12 | R 3/8" K | 12 | 38,0 | 21,5 | 28 | 17 | 24 |
| WR NW 08 HS 1/2 VA | S | PN 400 | 12 | R 1/2" K | 14 | 40,0 | 23,5 | 34 | 19 | 24 |
| WR NW 10 HS 3/8 VA | S | PN 400 | 14 | R 3/8" K | 12 | 40,0 | 22,0 | 30 | 19 | 27 |
| WR NW 10 HS VA | S | PN 400 | 14 | R 1/2" K | 14 | 40,0 | 22,0 | 32 | 19 | 27 |
| WR NW 13 HS 3/8 VA | S | PN 400 | 16 | R 3/8" K | 12 | 43,0 | 24,5 | 32 | 24 | 30 |
| WR NW 13 HS VA | S | PN 400 | 16 | R 1/2" K | 14 | 43,0 | 24,5 | 32 | 24 | 30 |
| WR NW 13 HS 3/4 VA | S | PN 160 | 16 | R 3/4" K | 16 | 43,0 | 24,5 | 41 | 24 | 30 |
| WR NW 16 HS 1/2 VA | S | PN 400 | 20 | R 1/2" K | 14 | 48,0 | 26,5 | 42 | 27 | 36 |
| WRK NW 16 HS VA | S | PN 160 | 20 | R 3/4" K | 16 | 48,0 | 26,5 | 42 | 27 | 36 |

typoszereg: LL = bardzo lekki L = lekki S = ciężki – PN = ciśnienie znamionowe PB = maks. ciśnienie robocze – Ø = średnica zewnętrzna rury

Warianty produktu

WRK Złączka wkręcana, kąt 90°, stal

WRK MG Dwuzłączka wkręcana, kąt 90°, mosiądz

XWRK VA Złączka wkręcana, kąt 90°, stal szlachetna