

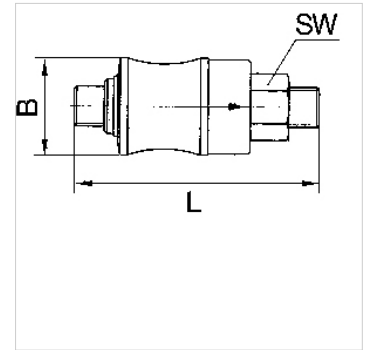
# K-HAND-SCHIEBEVENTIL

Manual slide valves

**HANSA FLEX**

## Właściwości

Ciśnienie robocze	maks. 10 bar
Temperatura robocza	max. +70 °C



## Wskazówka

Dalsze informacje na zapytanie.

## Opis

For use on devices that have to be vented whenever they are turned off, either because of safety regulations or for technical reasons. The pneumatic devices are disconnected from the system and simultaneously vented each time they are shut off.

## Artykuł

Oznaczenie	Gwint	B (mm)	L (mm)	SW (mm)
K- 07 30 15 92	G 1/8	21,0	67,0	14
K- 07 30 15 93	G 1/4	24,0	77,0	17
K- 07 30 15 94	G 3/8	31,0	87,0	22
K- 07 30 15 95	G 1/2	35,0	104,0	26