

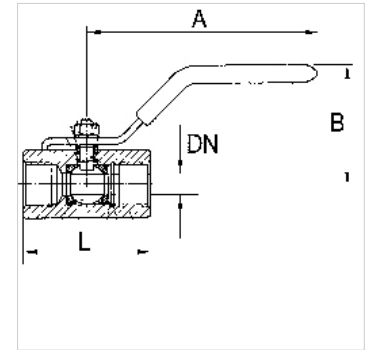
K-BKR STANDARD ZWEIFTEILIG VA

Ball valves

HANSA FLEX

Właściwości

| | |
|----------------------------|---|
| Ciśnienie robocze | max. 70 bar (depending on temperature and nominal size) |
| 1.1/4" to 1.1/2" | 20 °C: 70 bar, 60 °C: 55 bar, 100 °C: 35 bar, 150 °C: 6 bar, 180 °C: 4 bar, 200 °C: 0 bar |
| 1/4" bis 1" | 20 °C: 70 bar, 60 °C: 65 bar, 100 °C: 45 bar, 150 °C: 7 bar, 180 °C: 4 bar, 200 °C: 0 bar |
| 2" | 20 °C: 60 bar, 60 °C: 40 bar, 100 °C: 30 bar, 150 °C: 5 bar, 180 °C: 4 bar, 200 °C: 0 bar |
| Temperatura robocza | 200 °C at 0 bar |
| uszczelka | 15 % RPTFE (glass fibre reinforced PTFE) |
| dźwignia ręczna | Stainless steel 1.4301 |



Wskazówka

G thread acc. to DIN EN ISO 228-1, with ISO flange plate (acc. to ISO 5211)
Dalsze informacje na zapytanie.

Opis

Full bore

Wskazówki do zamówienia

For use on devices that have to be vented whenever they are turned off, either because of safety regulations or for technical reasons. The pneumatic devices are disconnected from the system and simultaneously vented each time they are shut off.

Dodatkowe informacje

G thread acc. DIN EN ISO 228-1

Artykuł

| Oznaczenie | DN | Gwint | A (mm) | B (mm) | L (mm) | Materiał |
|----------------|----|---------|--------|--------|--------|-------------------------------|
| K- 07 30 00 01 | 8 | G 1/4 | 102,0 | 56,0 | 52,0 | Stainless steel 1.4401/1.4408 |
| K- 07 30 00 02 | 10 | G 3/8 | 102,0 | 56,0 | 52,0 | Stainless steel 1.4401/1.4408 |
| K- 07 30 00 03 | 15 | G 1/2 | 123,0 | 65,0 | 58,0 | Stainless steel 1.4401/1.4408 |
| K- 07 30 00 04 | 20 | G 3/4 | 123,0 | 68,0 | 67,0 | Stainless steel 1.4401/1.4408 |
| K- 07 30 00 05 | 25 | G 1 | 153,0 | 79,0 | 78,0 | Stainless steel 1.4401/1.4408 |
| K- 07 30 00 06 | 32 | G 1 1/4 | 153,0 | 84,0 | 90,0 | Stainless steel 1.4401/1.4408 |
| K- 07 30 00 07 | 40 | G 1 1/2 | 183,0 | 93,0 | 104,0 | Stainless steel 1.4401/1.4408 |
| K- 07 30 00 08 | 50 | G 2 | 183,0 | 99,0 | 127,0 | Stainless steel 1.4401/1.4408 |