

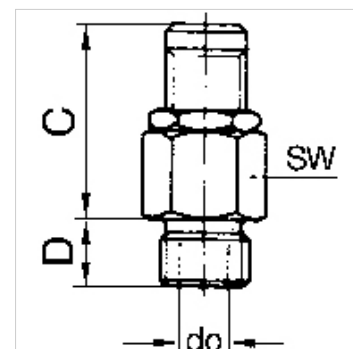
# K-ABBLV 1

## Blow-off safety valves G 1/8

**HANSA FLEX**

### Właściwości

Ciśnienie robocze	0.5 - 60 bar
Temperatura robocza	max. 180 °C
uszczelki	FKM
Obudowa	Brass



### Wskazówka

G thread acc. to DIN EN ISO 228-1, with ISO flange plate (acc. to ISO 5211)  
Dalsze informacje na zapytanie.

### Opis

Manual adjustment of the blow-off pressure (lock nut).

### Wskazówki do zamówienia

For use on devices that have to be vented whenever they are turned off, either because of safety regulations or for technical reasons. The pneumatic devices are disconnected from the system and simultaneously vented each time they are shut off.

### Dodatkowe informacje

These blow-off valves can also be supplied with a fixed setting and a TÜV type test number. Please ask for an offer.

### Artykuł

Oznaczenie	Gwint	Ciśnienie zadziałania	Wydajność przedmuchu	C (mm)	D (mm)	do (mm)	SW (mm)
K- 07 30 29 17	G 1/8	0.5 - 1.0 bar	to 50 l/min	27,0	7,0	3,0	16
K- 07 30 21 89	G 1/8	1.0 - 4.0 bar	to 200 l/min	27,0	7,0	3,0	16
K- 07 30 21 90	G 1/8	3.0 - 7.0 bar	to 350 l/min	27,0	7,0	3,0	16
K- 07 30 21 91	G 1/8	6.0 - 12.0 bar	to 650 l/min	27,0	7,0	3,0	16
K- 07 30 21 92	G 1/8	10.0 - 18.0 bar	to 870 l/min	27,0	7,0	3,0	16
K- 07 30 21 93	G 1/8	16.0 - 32.0 bar	to 1600 l/min	27,0	7,0	3,0	16
K- 07 30 21 94	G 1/8	30.0 - 60.0 bar	to 3000 l/min	27,0	7,0	3,0	16