

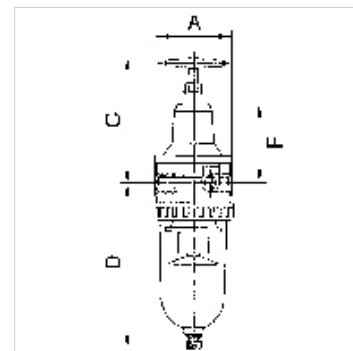
# K-FI REGL METALLBEHAE M ABLV STANDA

Filter regulators with metal bowl and manual drain valve

**HANSA FLEX**

## Właściwości

|   |   |
|---|---|
| <b>Ciśnienie wejściowe</b>                    | Max. 16 bar (polycarbonate bowl), Max. 25 bar (metal bowl)                          |
| <b>Zakres regulacji</b>                       | 0.5 to 10 bar (polycarbonate bowl), 0.5 to 16 bar (metal bowl)                      |
| <b>Temperatura czynnika</b>                   | max. 60 °C  |
| <b>temperatura otoczenia</b>                  | Max. 60 °C  |
| <b>wielkość porów w elemencie filtrującym</b> | 5 µm (Size 1 / Size 3), 40 µm (Size 2 / Size 4)                                     |
| <b>Materiał uszczelniający</b>                | NBR   |
| <b>Obudowa</b>                                | Die-cast zinc (G1/4 to G1/2), silver painted/aluminium (G3/4 to G1), silver painted |
| <b>pomiar wartości przepływu</b>              | At P1 = 8 bar, P2 = 6 bar and pressure drop $\Delta p = 1$ bar                      |



## Wskazówka

Dalsze informacje na zapytanie.

## Opis

Reversible diaphragm pressure regulators, independent of inlet pressure, with selfrelieving design, combined with a centrifugal separator.

## Artykuł

| Oznaczenie     | Gwint | Przepływ (L/min) | A (mm) | C (mm) | D (mm) | DN | F (mm) |
|----------------|-------|------------------|--------|--------|--------|----|--------|
| K- 07 25 06 69 | G 1/4 | 900              | 54,0   | 106,5  | 133,5  | 8  | 62,0   |
| K- 07 25 06 72 | G 3/8 | 900              | 54,0   | 106,5  | 133,5  | 8  | 62,0   |
| K- 07 25 06 75 | G 3/8 | 1500             | 70,0   | 120,5  | 161,0  | 11 | 76,5   |
| K- 07 25 06 77 | G 1/2 | 3000             | 82,0   | 130,0  | 172,0  | 14 | 83,0   |
| K- 07 25 06 80 | G 3/4 | 7000             | 125,0  | 190,6  | 264,0  | 25 | 145,0  |
| K- 07 25 06 83 | G 1   | 7000             | 125,0  | 190,6  | 264,0  | 25 | 145,0  |

## Części zamienne

|                            |   |
|----------------------------|---|
| K-HALTERBAUSATZ STANDARD   | Holder  |
| K-SCHUTZKORB G             | Protective cage   |
| K-FILTERELEMENT            | Filter element  |
| K-VERSCHLEI-SATZ           | Set of wearing parts                                      |
| K-XV AGM MS NI             | Double nipples, parallel male thread, nickel-plated brass |
| K-LOESBARE DOPPELNIPPEL MS | Double nipples  |
| K-ABLASSVENTIL AUTO        | Fully-automatic drain valve with Adapter G 1/8            |
| K-AUTOMAT ABLASSVENTIL     | Automatic drain valve                                     |