

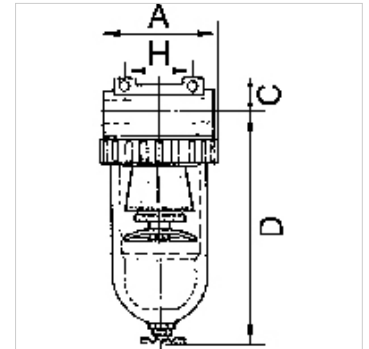
# K-FI SPEZI PC-BEHAEL H K STANDARD

Special filters with polycarbonate bowl and bowl guard, with semi-automatic drain valve to G 1/2 and manual drain valve from G 3/4

**HANSA FLEX**

## Właściwości

|   |   |
|---|---|
| <b>Ciśnienie wejściowe</b>                    | Max. 16 bar (polycarbonate bowl / bowl guard), Max. 25 bar (metal bowl) |
| <b>Temperatura czynnika</b>                   | max. 50 °C  |
| <b>temperatura otoczenia</b>                  | Max. 50 °C  |
| <b>sprawność</b>                              | 99.999 %  |
| <b>wielkość porów w elemencie filtrującym</b> | 0.01 µm   |
| <b>Obudowa</b>                                | Die-cast zinc, painted silver   |
| <b>pomiar wartości przepływu</b>              | At P2 = 6 bar and pressure drop $\Delta p = 1$ bar                      |



## Wskazówka

Dalsze informacje na zapytanie.

## Opis

For all applications with particularly strict compressed air purity requirements. The separating efficiency of these filters permits very fine oil vapour particles and micro-fine suspended particles to be filtered. A standard filter should always be connected upstream to trap coarse impurities and protect the micro-filter inserts.

## Artykuł

| Oznaczenie     | Gwint | Przepływ (L/min) | A (mm) | C (mm) | D (mm) | H (mm) | DN |
|----------------|-------|------------------|--------|--------|--------|--------|----|
| K- 07 25 10 75 | G 1/4 | 380              | 48,0   | 14,0   | 131,6  | 38,0   | 6  |
| K- 07 25 10 78 | G 3/8 | 380              | 48,0   | 14,0   | 131,6  | 38,0   | 6  |
| K- 07 25 10 80 | G 3/8 | 720              | 70,0   | 16,0   | 145,7  | 50,0   | 10 |
| K- 07 25 10 82 | G 1/2 | 1250             | 79,0   | 18,0   | 168,4  | 50,0   | 15 |
| K- 07 25 10 85 | G 3/4 | 7000             | 133,0  | 36,0   | 206,0  | 134,0  | 20 |
| K- 07 25 10 88 | G 1   | 7000             | 133,0  | 36,0   | 206,0  | 120,0  | 25 |

## Części zamienne

|                            |   |
|----------------------------|---|
| K-HALTERBAUSATZ STANDARD   | Holder  |
| K-FILTERELEMENT STANDARD   | Filter element  |
| K-SCHUTZKORB G             | Protective cage   |
| K-XV AGM MS NI             | Double nipples, parallel male thread, nickel-plated brass |
| K-LOESBARE DOPPELNIPPEL MS | Double nipples  |