

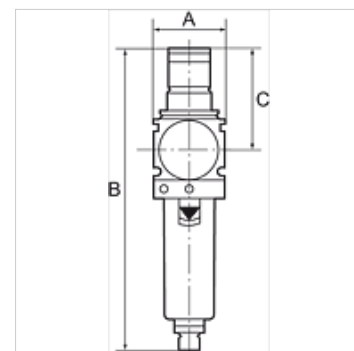
# K-FI REGL PC-BEHAEL MANO VARIOBLOC

Filter regulators with polycarbonate bowl and pressure gauge

**HANSA FLEX**

## Właściwości

<b>Ciśnienie wejściowe</b>	Max. 16 bar (polycarbonate bowl), Max. 20 bar (metal bowl)
<b>Temperatura czynnika</b>	max. 50 °C
<b>temperatura otoczenia</b>	Max. 50 °C (polycarbonate bowl), Max. 80 °C (metal bowl)
<b>wielkość porów w elemencie filtrującym</b>	40 µm
<b>Materiał uszczelniający</b>	NBR
<b>kołpak sprężynujący</b>	POM
<b>Obudowa</b>	Die-cast zinc
<b>Przepona</b>	NBR
<b>Drain valve</b>	Manual
<b>pomiar wartości przepływu</b>	At P1 = 10 bar, P2 = 6 bar and pressure drop $\Delta p = 1$ bar



## Wskazówka

Dalsze informacje na zapytanie.

## Opis

Reversible diaphragm pressure regulators, independent of inlet pressure, with self-relieving design, combined with a centrifugal separator. The pressure setting can be locked by pushing the knob down. Approved series in modern industrial design, with the following key benefits: Simple handling, Convenient modular assembly thanks to innovative fasteners, Excellent flow values.

## Wskazówki do zamówienia

Filter regulators are also available with bowl guard or metal bowl. Filter regulators are also available in lockable version. Please ask for more information.

## Dodatkowe informacje

Filter regulators are also available with bowl guard or metal bowl. Filter regulators are also available in lockable version. Please ask for more information.

## Artykuł

Oznaczenie	Gwint	Zakres regulacji	Przepływ (L/min)	A (mm)	B	C (mm)
K- 07 25 06 85	G 1/4	0.5 - 10 bar	2000	48,0	203,0 mm	68,0
K- 07 25 06 87	G 3/8	0.5 - 10 bar	3000	48,0	203,0 mm	68,0
K- 07 25 06 89	G 1/2	0.5 - 10 bar	5500	70,0	273,0 mm	98,0
K- 07 25 06 91	G 3/4	0.5 - 10 bar	6500	70,0	273,0 mm	98,0
K- 07 25 06 93	G 1	0.5 - 10 bar	6500	124,0	273,0 mm	98,0

## Części zamienne

K-VERSCHLEI-SATZ VARIOBLOC	Set of wearing parts
K-ERSATZBEHAELTER VARIOBLOC POLY	Spare tank Polycarbonat
K-FILTERELEMENT VARIOBLOC	Filter element
K-ABLASSVENTIL AUTO	Fully-automatic drain valve with Adapter G 1/8