

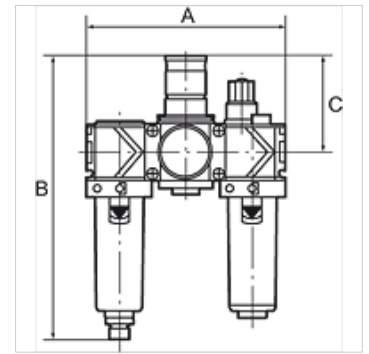
K-WTEH 3-TLG PC-BEHAEL VARIOBLOC

Service units, 3-piece with polycarbonate bowl

HANSA FLEX

Właściwości

| | |
|---|---|
| Ciśnienie wejściowe | Max. 16 bar (polycarbonate bowl), Max. 20 bar (metal bowl) |
| Temperatura czynnika | max. 50 °C |
| temperatura otoczenia | Max. 50 °C (polycarbonate bowl), Max. 80 °C (metal bowl) |
| wielkość porów w elemencie filtrującym | 40 µm |
| Materiał uszczelniający | NBR |
| kołpak sprężynujący | POM |
| Obudowa | Die-cast zinc |
| Przepona | NBR |
| nasadka ociekowa | PA |
| Drain valve | Manual |
| pomiar wartości przepływu | At P1 = 10 bar, P2 = 6 bar and pressure drop $\Delta p = 1$ bar |



Wskazówka

Dalsze informacje na zapytanie.

Opis

Two or three-piece service units consisting of a reversible diaphragm pressure regulator, independent of inlet pressure, with self-relieving design, combined with a centrifugal separator and a proportional lubricator. Approved series in modern industrial design, with the following key benefits: Simple handling, Convenient modular assembly thanks to innovative fasteners, Excellent flow values.

Wskazówki do zamówienia

Service units are also available with bowl guard or metal bowl. Service units are also available in other control ranges (0.5 - 6 bar and 0.5 - 16 bar) and in lockable version. Please ask for more information.

Dodatkowe informacje

Service units are also available with bowl guard or metal bowl. Service units are also available in other control ranges.

Artykuł

| Oznaczenie | Gwint | Zakres regulacji | Przepływ (L/min) | A (mm) | B | C (mm) |
|----------------|-------|------------------|------------------|--------|----------|--------|
| K- 07 25 14 11 | G 1/4 | 0.5 - 10 bar | 1500 | 144,0 | 201,0 mm | 68,0 |
| K- 07 25 14 13 | G 3/8 | 0.5 - 10 bar | 1800 | 144,0 | 201,0 mm | 68,0 |
| K- 07 25 14 15 | G 1/2 | 0.5 - 10 bar | 3400 | 210,0 | 247,0 mm | 98,0 |
| K- 07 25 14 17 | G 3/4 | 0.5 - 10 bar | 5000 | 210,0 | 247,0 mm | 98,0 |
| K- 07 25 14 19 | G 1 | 0.5 - 10 bar | 5000 | 264,0 | 247,0 mm | 98,0 |

Części zamienne

| | |
|----------------------------------|--|
| K-VERSCHLEI-SATZ VARIOBLOC | Set of wearing parts |
| K-FILTERELEMENT VARIOBLOC | Filter element |
| K-TROPFAUFSATZ VARIOBLOC | Drip attachment |
| K-ERSATZBEHAELTER VARIOBLOC POLY | Spare tank Polycarbonat |
| K-ABLASSVENTIL AUTO | Fully-automatic drain valve with Adapter G 1/8 |
| K-TROPFAUFSATZ METALL | Drip attachment metal |