

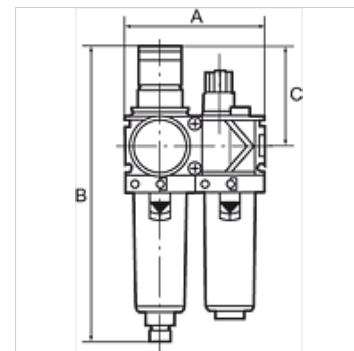
K-WTEH 2-TLG PC-BEHAEL VARIOBLOC

Service units, 2-piece with polycarbonate bowl

HANSA FLEX

Właściwości

Ciśnienie wejściowe	Max. 16 bar (polycarbonate bowl), Max. 20 bar (metal bowl)
Temperatura czynnika	max. 50 °C
temperatura otoczenia	Max. 50 °C (polycarbonate bowl), Max. 80 °C (metal bowl)
wielkość porów w elemencie filtrującym	40 µm
Materiał uszczelniający	NBR
kołpak sprężynujący	POM
Obudowa	Die-cast zinc
Przepona	NBR
nasadka ociekowa	PA
Drain valve	Manual
pomiar wartości przepływu	At P1 = 10 bar, P2 = 6 bar and pressure drop $\Delta p = 1$ bar



Wskazówka

Dalsze informacje na zapytanie.

Opis

Two or three-piece service units consisting of a reversible diaphragm pressure regulator, independent of inlet pressure, with self-relieving design, combined with a centrifugal separator and a proportional lubricator. Approved series in modern industrial design, with the following key benefits: Simple handling, Convenient modular assembly thanks to innovative fasteners, Excellent flow values.

Wskazówki do zamówienia

Service units are also available with bowl guard or metal bowl. Service units are also available in other control ranges (0.5 - 6 bar and 0.5 - 16 bar) and in lockable version. Please ask for more information.

Dodatkowe informacje

Service units are also available with bowl guard or metal bowl. Service units are also available in other control ranges.

Artykuł

Oznaczenie	Gwint	Zakres regulacji	Przepływ (L/min)	A (mm)	B	C (mm)
K- 07 25 13 85	G 1/4	0.5 - 10 bar	1500	96,0	203,0 mm	68,0
K- 07 25 13 87	G 3/8	0.5 - 10 bar	1800	96,0	203,0 mm	68,0
K- 07 25 13 89	G 1/2	0.5 - 10 bar	3400	140,0	273,0 mm	98,0
K- 07 25 13 91	G 3/4	0.5 - 10 bar	5000	140,0	273,0 mm	98,0
K- 07 25 13 93	G 1	0.5 - 10 bar	5000	194,0	273,0 mm	98,0

Części zamienne

K-VERSCHLEI-SATZ VARIOBLOC	Set of wearing parts
K-FILTERELEMENT VARIOBLOC	Filter element
K-TROPFAUFSATZ VARIOBLOC	Drip attachment
K-ERSATZBEHAELTER VARIOBLOC POLY	Spare tank Polycarbonat
K-ABLASSVENTIL AUTO	Fully-automatic drain valve with Adapter G 1/8
K-TROPFAUFSATZ METALL	Drip attachment metal