

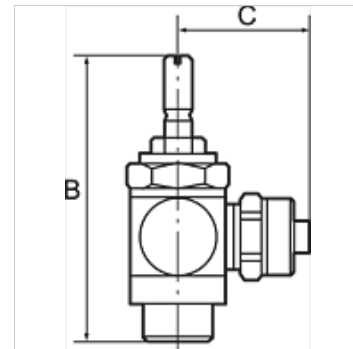
# K-DRV SCHNVERSCHR V RAENDEL

Unidirectional flow control valves, incoming air restriction (»V«), quick-lock screw fitting

**HANSA FLEX**

## Właściwości

Ciśnienie robocze	maks. 10 bar
Zakres temperatury	0 °C to +70 °C
śruba drążona, ramię obrotowe, śruba regulacyjna	Nickel-plated brass
części wewnętrzne	Brass with a bare metal surface
uszczelnienie wargowe o-ring	NBR
uszczelki (niegubiące się)	Polyamide (glass fibre-reinforced)



## Wskazówka

Dalsze informacje na zapytanie.

## Opis

For fine regulation of a cylinder piston speed in the forward and return motion and precise control of flow rates. Designed as a banjo-type valve with a hollow bolt and ring piece. Can be screwed directly onto the valve or cylinder. Compact type of construction, also ideal where space is restricted. On the version with a knurled screw, the set volumetric flow rate can be locked with the hexagon nut to obtain a fixed setting.

## Artykuł

Oznaczenie	C (mm)	dla węża	Gwint	RK	B (mm)
K- 07 15 05 10	18,0	4 mm / 2,5 mm	M 5	8 mm	38,9
K- 07 15 05 11	19,0	5 mm / 3 mm	M 5	8 mm	38,9
K- 07 15 05 12	19,0	6 mm / 4 mm	M 5	8 mm	38,9
K- 07 15 05 18	23,0	5 mm / 3 mm	G 1/8	14 mm	42,4
K- 07 15 05 19	25,0	6 mm / 4 mm	G 1/8	14 mm	42,4
K- 07 15 05 20	25,0	8 mm / 6 mm	G 1/8	14 mm	42,4
K- 07 15 05 15	26,5	6 mm / 4 mm	G 1/4	17 mm	51,4
K- 07 15 05 16	27,5	8 mm / 6 mm	G 1/4	17 mm	51,4
K- 07 15 05 14	28,5	10 mm / 8 mm	G 1/4	17 mm	51,4