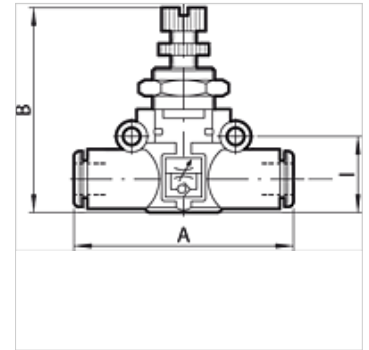
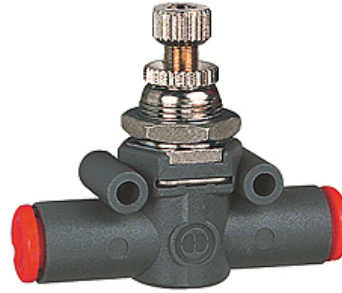


K-DUFR E SCHL SCHL

Flow regulators, flow at one end, pipe - pipe

Właściwości

Ciśnienie robocze	maks. 10 bar
Przepływ 6,3bar	155 l/min (Ø 4), 450 l/min (Ø 6), 850 l/min (Ø 8)
przepl. odpowietrzenie 6,3bar	160 l/min (Ø 4), 550 l/min (Ø 6), 950 l/min (Ø 8)
Ustawienie	Manual or screwdriver
Zakres temperatury	-20 °C to +60 °C
korpus	Technopolymer
części wewnętrzne	nickel-plated brass, brass, technopolymer, stainless steel
Materiał uszczelniający	NBR
Montaż	Wall mounting (housing with drilled holes) Bracket mounting (mounting bracket available) Panel mounting (with bracket or lock nut)
Symbol	on the housing



Wskazówka

Dalsze informacje na zapytanie.

Opis

A carefully selected assortment of products for installation in pneumatic circuits. These small, highly efficient components allow all pneumatic functions to be implemented anywhere in the circuit. The series has an ultramodular design. All components can be installed in parallel, in series, in a mixed parallel / serial configuration. Available as Pipe / pipe connection with two plug connectors Thread / pipe connection, with one plug connector and one nickel-plated brass thread.

Artykuł

Oznaczenie	dla Ø węża (mm)	A (mm)	B (mm)	l (mm)
K- 07 15 05 82	4	42,0	35,0	12,7
K- 07 15 05 83	6	49,4	40,0	14,6
K- 07 15 05 84	8	57,3	49,0	18,7