

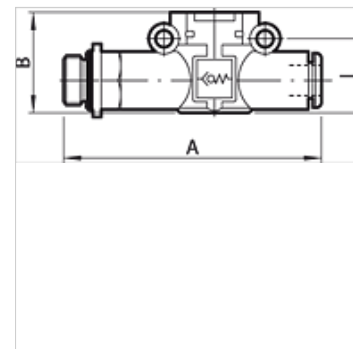
# K-RD GEW SCHL

Unidirectional valves, thread (input) - pipe (output)

**HANSA FLEX**

## Właściwości

<b>Ciśnienie robocze</b>	0.5 - 12 bar
<b>Przepływ 6,3bar, p=1bar</b>	80 NI/min (Ø 4), 320 NI/min (Ø 6), 480 NI/min (Ø 8)
<b>Zakres temperatury</b>	-20 °C to +60 °C
<b>korpus</b>	Technopolymer
<b>części wewnętrzne</b>	nickel-plated brass, brass, Intechnopolymer, stainless steel
<b>Materiał uszczelniający</b>	NBR
<b>Montaż</b>	Wall mounting (housing with drilled holes) Bracket mounting (mounting bracket available) Panel mounting (with bracket or lock nut)
<b>Symbol</b>	on the housing



## Wskazówka

Dalsze informacje na zapytanie.

## Opis

A carefully selected assortment of products for installation in pneumatic circuits. These small, highly efficient components allow all pneumatic functions to be implemented anywhere in the circuit. The series has an ultramodular design. All components can be installed in parallel, in series, in a mixed parallel / serial configuration. Available as Pipe / pipe connection with two plug connectors Thread / pipe connection, with one plug connector and one nickel-plated brass thread.

## Artykuł

Oznaczenie	Gwint	dla Ø węża (mm)	A (mm)	B (mm)	l (mm)
K- 07 15 25 34	M 5	4	47,7	17,5	12,8
K- 07 15 25 35	G 1/8	4	50,6	17,5	12,8
K- 07 15 16 59	G 1/8	6	58,3	20,0	14,6
K- 07 15 16 60	G 1/8	8	66,4	26,0	18,7
K- 07 15 16 57	G 1/4	6	61,3	20,0	14,6
K- 07 15 16 58	G 1/4	8	70,8	26,0	18,7
K- 07 15 16 61	G 3/8	8	72,4	26,0	18,7