

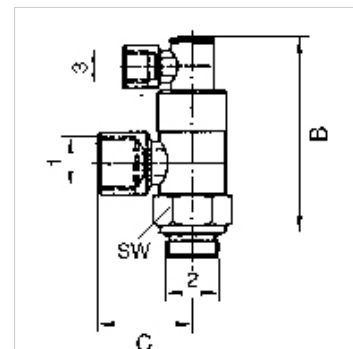
K-STOPPVENTILE IG

Stop valves, ports 2 and 3 with female thread

HANSA FLEX

Właściwości

Ciśnienie pracy	Max. 10 bar
ciśnienie sterujące	1 - 5 bar, depending on operating pressure
Temperatura czynnika	max. 70 °C
Położenie montażowe	Any. Ring pieces can still be rotated 360° after the valve has been tightened
Materiał	mosiądz niklowany
Materiał uszczelniający	Perbunan



Wskazówka

Dalsze informacje na zapytanie.

Opis

For high-speed positioning and stop functions as well as emergency switching (e.g. emergency stop). If a control signal is present at port 3, air can flow to and from the cylinder. If no control signal is present, the air flow to and from the cylinder is shut off, causing the cylinder to stop in the required position. Stop valves are screwed directly onto the cylinder instead of the normal pipe connections.

Artykuł

Oznaczenie	Port 1	Port 2	przyłącze 3	B (mm)	C (mm)
K- 07 15 20 46	G 1/8	G 1/8	G 1/8	52,0	21,0
K- 07 15 20 45	G 1/4	G 1/4	G 1/8	58,0	25,0
K- 07 15 20 47	G 3/8	G 3/8	G 1/8	63,0	31,0
K- 07 15 20 44	G 1/2	G 1/2	G 1/8	72,0	40,0