

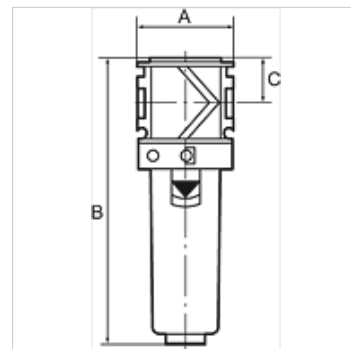
K-FI AK KOH METALLBEHAEL SI VARIOBL

Activated carbon filters with metal bowl incl. sight glass

HANSA FLEX

Właściwości

| | |
|------------------------------------|--|
| Ciśnienie wejściowe | Max. 16 bar (polycarbonate bowl), Max. 20 bar (metal bowl) |
| Temperatura czynnika | max. 50 °C |
| temperatura otoczenia | Max. 50 °C (polycarbonate bowl), Max. 80 °C (metal bowl) |
| jakość powietrza ISO 85731 | Class 1 dirt, class 1 oil |
| Zawartość pozostałego oleju | 0,003 mg/m ³ |
| pomiar wartości przepływu | At P1 = 7 bar and pressure drop $\Delta p = 0,1$ bar |



Wskazówka

Activated carbon filters are also supplied with protective cage or metal container.

Dalsze informacje na zapytanie.

Opis

The activated carbon filter absorbs oil vapour from the compressed air. The entering compressed air needs to be dry and free of contaminants (an upstream microfilter is strongly recommended).

Artykuł

| Oznaczenie | Gwint | Przepływ (L/min) | A (mm) | B | C (mm) |
|----------------|-------|------------------|--------|----------|--------|
| K- 07 25 23 07 | G 1/4 | 800 | 48,0 | 142,0 mm | 22,0 |
| K- 07 25 23 08 | G 3/8 | 1000 | 48,0 | 142,0 mm | 22,0 |
| K- 07 25 23 09 | G 1/2 | 1200 | 70,0 | 193,0 mm | 26,0 |
| K- 07 25 23 10 | G 3/4 | 1300 | 70,0 | 193,0 mm | 26,0 |
| K- 07 25 23 11 | G 1 | 1300 | 124,0 | 193,0 mm | 26,0 |