

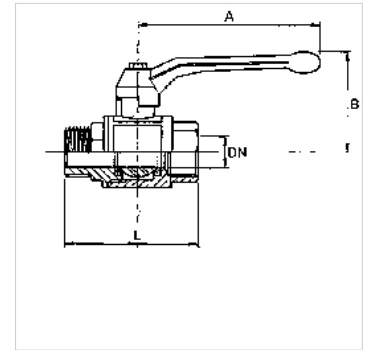
# K-BKR LANG IG AG

Ball valves, long-threaded type, female/male thread

**HANSA FLEX**

## Właściwości

<b>Zakres stosowania</b>	Compressed air, water, non-toxic and non-corrosive gases, heating systems, agriculture
<b>Ciśnienie robocze</b>	Max. 40 bar
<b>Temperatura robocza</b>	-15 °C to +90 °C
<b>Gwint opis</b>	Thread acc. to ISO 7-1
<b>Obudowa</b>	Nickel-plated brass
<b>dźwignia</b>	Aluminium, painted black
<b>kula</b>	Chrome-plated brass
<b>uszczelka kuli</b>	PTFE
<b>uszczelnienie wrzeciona</b>	NBR / EPDM



## Wskazówka

G thread acc. to DIN EN ISO 228-1, with ISO flange plate (acc. to ISO 5211)

Dalsze informacje na zapytanie.

## Wskazówki do zamówienia

For use on devices that have to be vented whenever they are turned off, either because of safety regulations or for technical reasons. The pneumatic devices are disconnected from the system and simultaneously vented each time they are shut off.

## Dodatkowe informacje

The pressure values refer to a maximum operating temperature of 40 °C. Lower maximum pressure apply at higher temperatures. See data sheet.

## Artykuł

Oznaczenie	DN	Gwint	A (mm)	B (mm)	L (mm)
K- 07 30 21 37	8	Rp/R 1/4	85,0	42,0	52,0
K- 07 30 21 38	10	Rp/R 3/8	85,0	42,0	54,0
K- 07 30 21 39	15	Rp/R 1/2	85,0	46,0	67,0
K- 07 30 21 40	20	Rp/R 3/4	105,0	53,0	78,0
K- 07 30 21 41	25	Rp/R 1	105,0	57,0	89,0
K- 07 30 21 42	32	Rp/R 1 1/4	130,0	70,0	103,0
K- 07 30 21 43	40	Rp/R 1 1/2	130,0	76,0	113,0
K- 07 30 21 44	50	Rp/R 2	165,0	92,0	136,0