

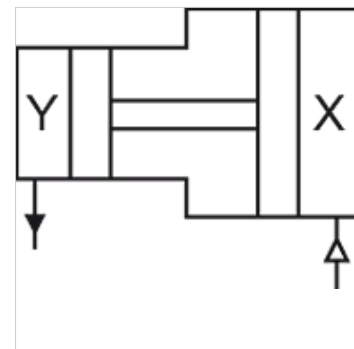
K-DVST OHNE REGLER

Pressure booster without regulator

HANSA FLEX

Właściwości

Ciśnienie wejściowe	2 - 10 bar
ciśnienie wyjściowe	Max. 20 bar (regulated: max. 16 bar)
Zakres temperatury	-10 °C to +50 °C (40 mm bore), -10 °C to +60 °C (63 mm bore)
Czynniki robocze	Filtered, unlubricated or lubricated compressed air (if lubrication is used, it must be continuous)
Materiał uszczelniający	NBR
regulator ciśnienia	With plastic body
Obudowa	Aluminium, anodised
rura	Anodised aluminium jacket
Montaż	Any position, with 4 mounting holes
P2:P1	2:1



Wskazówka

For information about calculating the filling times for different tank sizes, refer to the above-mentioned data sheet available on our website
Dalsze informacje na zapytanie.

Opis

Pressure multipliers (boosters) allow a separate compressed air store with up to double pressure to be installed for selected devices in a compressed air system without an external energy source, i.e. it is possible to work with a maximum pressure of 20 bar in a standard 10 bar system (maximum ratio 2:1). This is achieved using a double piston, which is operated by a combination of integrated check valves in such a way that the booster works automatically until the target pressure is reached in a compressed air tank and is then automatically switched off. A tank is always required to build up the pressure and store the compressed air!

Dodatkowe informacje

Fixing bracket with nut

Artykuł

Oznaczenie	Przyłącze	Ø tłok (mm)	H (mm)	L (mm)
K- 07 25 08 64	G 1/8	40,0	64,0	194,0
K- 07 25 08 66	G 3/8	63,0	98,0	290,0

Akcesoria

K-ZUBEH ERSATZ LUFT BOOSTER Accessories / spare parts for Air-air-multiplier (booster)