

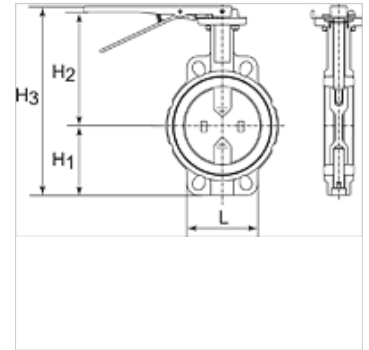
K-ZFL ABSP-KLAPPEN

Butterfly valves

HANSA FLEX

Właściwości

Ciśnienie robocze	Max. 16 bar
Temperatura robocza	-15 °C to +120 °C
Czynniki robocze	Water / steam, salt water, salt water, ester, ketone, alkali, caustic soda, sodium hydroxide. Not recommended for hydrocarbons
Zakres temperatury	-20 °C to +120 °C
Obudowa	Grey cast iron GG25 epoxy resin coated, RAL 5015
uszczelka	EPDM
wałek	SS416
uszczelka wałka	EPDM
dźwignia ręczna	GG25 epoxy resin coated



Wskazówka

Dalsze informacje na zapytanie.

Artykuł

Oznaczenie	Podkładka okrągła	DN	B (mm)	H1 (mm)	H2 (mm)	H3 (mm)	L (mm)
K- 07 30 03 45	Stainless Steel CF8M/1.4404	40	38,0	68,0	94,0	198,0	94,0
K- 07 30 03 46	Stainless Steel CF8M/1.4404	50	47,0	71,0	143,0	236,0	100,0
K- 07 30 03 47	Stainless Steel CF8M/1.4404	65	49,0	78,0	155,0	255,0	115,0
K- 07 30 03 48	Stainless Steel CF8M/1.4404	80	47,0	89,0	162,0	273,0	127,0
K- 07 30 03 49	Stainless Steel CF8M/1.4404	100	56,0	102,0	178,0	302,0	163,0
K- 07 30 03 50	Stainless Steel CF8M/1.4404	125	59,0	123,0	191,0	336,0	190,0
K- 07 30 03 51	Stainless Steel CF8M/1.4404	150	59,0	138,0	205,0	365,0	216,0