

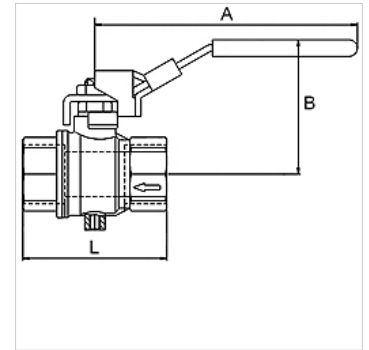
K-S-BKR M ENTL-BOHR ABSCHL

Safety ball valves, lockable, with relief port

HANSA FLEX

Właściwości

Temperatura robocza	-10 °C to + 100 °C (depending on operating pressure)
Otwór odpowietrzający	M 5 (>1": Relief port G 1/4")
Gwint opis	Rp thread acc. to EN 10226
Obudowa	Nickel-plated brass
dźwignia ręczna	Steel - PVC coated
kula	hardchrome-plated brass
uszczelka kuli	PTFE
uszczelnienie wrzeciona	PTFE



Wskazówka

G thread acc. to DIN EN ISO 228-1, with ISO flange plate (acc. to ISO 5211)

Dalsze informacje na zapytanie.

Opis

2/2-way safety ball valves, two parts, made of nickel-plated brass. Specially designed for pneumatic applications. The valve shuts off the supply line and bleeds the application area. Lockable hand lever in closed position.

Dodatkowe informacje

The price does not include a padlock. Please order separately.

Artykuł

Oznaczenie	DN	Gwint	PN (bar)	A (mm)	B (mm)	L (mm)
K- 07 30 29 29	8	Rp 1/4	14	96,0	49,0	45,0
K- 07 30 29 30	10	Rp 3/8	14	96,0	49,0	45,0
K- 07 30 29 31	15	Rp 1/2	14	96,0	51,0	59,0
K- 07 30 29 32	20	Rp 3/4	14	117,0	60,0	64,0
K- 07 30 29 33	25	Rp 1	14	117,0	64,0	81,0
K- 07 30 29 34	32	Rp 1 1/4	14	157,0	80,0	93,0
K- 07 30 29 35	40	Rp 1 1/2	14	157,0	86,0	102,0
K- 07 30 29 36	50	Rp 2	14	157,0	93,0	121,0

Akcesoria

K-VORHAENGESCHLOSS Padlock