

# K-S-BKR FEDERRUECKSTELLUNG

Safety ball valve with spring return

**HANSA FLEX**

## Właściwości

Temperatura robocza -20 °C to +170 °C

Gwint opis Rp thread acc. to ISO 7-1

sprężyna Stainless steel 1.4301

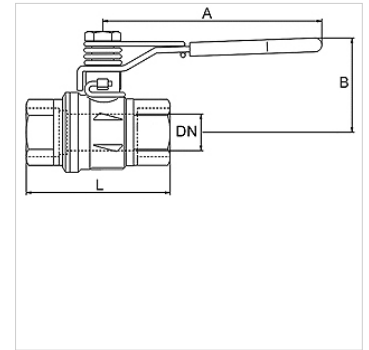
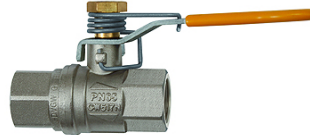
Obudowa Nickel-plated brass

dźwignia ręczna Steel - PVC coated

kula hardchrome-plated brass

uszczelka kuli PTFE

uszczelnienie wrzeciona FKM



## Wskazówka

Dalsze informacje na zapytanie.

## Opis

2/2-way safety ball valves, two parts, made of nickel-plated brass with spring return. Applications: Compressed air, water, oils, fuel oil, fuels, inert gases. Silicone-free. The ball valve is closed in the normal position and opens against spring force.

## Artykuł

Oznaczenie	DN	Gwint	PN (bar)	A (mm)	B (mm)	L (mm)
K- 07 30 30 40	8	Rp 1/4	65	100,0	40,0	50,0
K- 07 30 30 43	10	Rp 3/8	65	100,0	40,0	60,0
K- 07 30 30 39	15	Rp 1/2	65	100,0	43,0	75,0
K- 07 30 30 42	20	Rp 3/4	40	120,0	51,0	80,0
K- 07 30 30 36	25	Rp 1	40	120,0	55,0	90,0
K- 07 30 30 38	32	Rp 1 1/4	40	158,0	75,0	110,0
K- 07 30 30 37	40	Rp 1 1/2	40	158,0	81,0	120,0
K- 07 30 30 41	50	Rp 2	40	158,0	88,0	140,0