

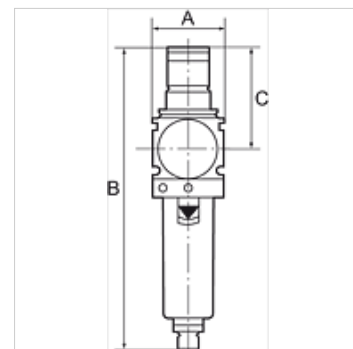
# K-FI REGL PC-BEHÄLTER S MAN VARIOB

Filter regulators with polycarbonate bowl, bowl guard and pressure gauge

**HANSA FLEX**

## Właściwości

|   |   |
|---|---|
| <b>Ciśnienie wejściowe</b>                    | Max. 16 bar (polycarbonate bowl), Max. 20 bar (metal bowl)      |
| <b>Temperatura czynnika</b>                   | max. 50 °C  |
| <b>temperatura otoczenia</b>                  | Max. 50 °C (polycarbonate bowl), Max. 80 °C (metal bowl)        |
| <b>wielkość porów w elemencie filtrującym</b> | 40 µm   |
| <b>Materiał uszczelniający</b>                | NBR   |
| <b>kołpak sprężynujący</b>                    | POM   |
| <b>Obudowa</b>                                | Die-cast zinc   |
| <b>Przepona</b>                               | NBR   |
| <b>Drain valve</b>                            | Manual  |
| <b>pomiar wartości przepływu</b>              | At P1 = 10 bar, P2 = 6 bar and pressure drop $\Delta p = 1$ bar |



## Wskazówka

Dalsze informacje na zapytanie.

## Opis

Reversible diaphragm pressure regulators, independent of inlet pressure, with self-relieving design, combined with a centrifugal separator. The pressure setting can be locked by pushing the knob down. Approved series in modern industrial design, with the following key benefits: Simple handling, Convenient modular assembly thanks to innovative fasteners, Excellent flow values.

## Wskazówki do zamówienia

Filter regulators are also available with bowl guard or metal bowl. Filter regulators are also available in lockable version. Please ask for more information.

## Dodatkowe informacje

Filter regulators are also available with bowl guard or metal bowl. Filter regulators are also available in lockable version. Please ask for more information.

## Artykuł

| Oznaczenie     | Gwint | Zakres regulacji | Przepływ (L/min) | A (mm) | B        | C (mm) |
|----------------|-------|------------------|------------------|--------|----------|--------|
| K- 07 25 23 01 | G 1/4 | 0.5 - 10 bar     | 2000             | 48,0   | 203,0 mm | 68,0   |
| K- 07 25 23 00 | G 3/8 | 0.5 - 10 bar     | 3000             | 48,0   | 203,0 mm | 68,0   |
| K- 07 25 22 99 | G 1/2 | 0.5 - 10 bar     | 5500             | 70,0   | 273,0 mm | 98,0   |
| K- 07 25 22 98 | G 3/4 | 0.5 - 10 bar     | 6500             | 70,0   | 273,0 mm | 98,0   |
| K- 07 25 22 97 | G 1   | 0.5 - 10 bar     | 6500             | 124,0  | 273,0 mm | 98,0   |