

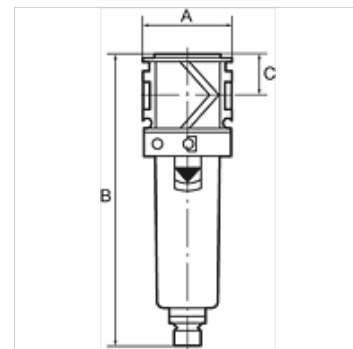
K-FI MIKRO PC-BEHÄL SCHU VARIOBLOC

Micro-filters with polycarbonate bowl and bowl guard

HANSA FLEX

Właściwości

| | |
|-----------------------------------|--|
| Ciśnienie wejściowe | Max. 16 bar (polycarbonate bowl), Max. 20 bar (metal bowl) |
| Temperatura czynnika | max. 50 °C |
| temperatura otoczenia | Max. 50 °C (polycarbonate bowl), Max. 80 °C (metal bowl) |
| Dokładność filtra | 0,01 µm |
| jakość powietrza ISO 85731 | Class 1 dirt, class 1 oil |
| sprawność | 99.999 % |
| pomiar wartości przepływu | At P1 = 7 bar and pressure drop $\Delta p = 0,1$ bar |



Wskazówka

Dalsze informacje na zapytanie.

Opis

Borosilicate filter for all applications where compliance with strict compressed air purity requirements is vital. As the second stage downstream of the standard filter, the micro-filter removes 99.999 % of even the finest remaining particles from water, oil and dirt with practically zero residues (filter rating: 0.01 µm).

Wskazówki do zamówienia

Micro-filters are also available with bowl guard or metal bowl.

Artykuł

| Oznaczenie | Gwint | Przepływ (L/min) | A (mm) | B | C (mm) |
|----------------|-------|------------------|--------|----------|--------|
| K- 07 25 22 96 | G 1/4 | 370 | 48,0 | 155,0 mm | 22,0 |
| K- 07 25 22 95 | G 3/8 | 420 | 48,0 | 155,0 mm | 22,0 |
| K- 07 25 22 94 | G 1/2 | 1000 | 70,0 | 202,0 mm | 26,0 |
| K- 07 25 22 93 | G 3/4 | 1100 | 70,0 | 202,0 mm | 26,0 |
| K- 07 25 22 92 | G 1 | 1100 | 124,0 | 202,0 mm | 26,0 |