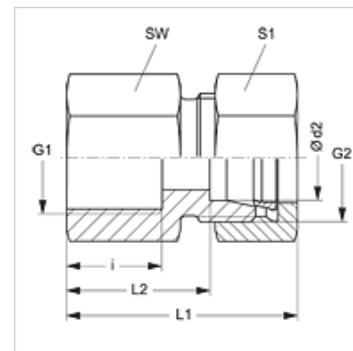


Características

Conexão 1	Rosca interna BSP cilíndrica
Tipo de vedação 1	Forma A
Conexão 2	Rosca externa métrica cilíndrica
Tipo de vedação 2	Cone interno 24°
Tipo	União fêmea
Modelo	reto
Norma	DIN 2353 ISO 8434-1
Escopo de fornecimento	Conexão com porca e anilha
Material	Aço inoxidável



Artigo

Descrição	Série	Pressão operacional bar	Ø d2 (mm)	G1	G2	i (mm)	L1 (mm)	L2 (mm)	SW (mm)	S1
GAR NW 04 HL VA	L	PN 315	6	Rosca 1/8" -28	M 12 x 1,5	12,0	34,0	19,0	14	14
GAR NW 04 HL 1/4 VA	L	PN 315	6	Rosca 1/4" -19	M 12 x 1,5	12,0	34,0	19,0	14	14
GAR NW 04 HL 3/8 VA	L	PN 315	6	Rosca 3/8" -19	M 12 x 1,5	12,0	36,0	21,0	22	14
GAR NW 04 HL 1/2 VA	L	PN 315	6	Rosca 1/2" -14	M 12 x 1,5	20,0	46,0	31,0	27	14
GAR NW 06 HL VA	L	PN 315	8	Rosca 1/4" -19	M 14 x 1,5	17,0	39,0	24,0	19	17
GAR NW 06 HL 3/8 VA	L	PN 315	8	Rosca 3/8" -19	M 14 x 1,5	17,0	36,0	21,0	22	17
GAR NW 06 HL 1/2 VA	L	PN 315	8	Rosca 1/2" -14	M 14 x 1,5	20,0	44,0	29,0	27	17
GAR NW 08 HL VA	L	PN 315	10	Rosca 1/4" -19	M 16 x 1,5	17,0	40,0	25,0	19	19
GAR NW 08 HL 3/8 VA	L	PN 315	10	Rosca 3/8" -19	M 16 x 1,5	17,0	40,0	26,0	22	19
GAR NW 08 HL 1/2 VA	L	PN 315	10	Rosca 1/2" -14	M 16 x 1,5	20,0	45,0	30,0	27	19
GAR NW 10 HL 1/4 VA	L	PN 315	12	Rosca 1/4" -19	M 18 x 1,5	17,0	41,0	25,0	19	22
GAR NW 10 HL VA	L	PN 315	12	Rosca 3/8" -19	M 18 x 1,5	17,0	41,0	26,0	22	22
GAR NW 10 HL 1/2 VA	L	PN 315	12	Rosca 1/2" -14	M 18 x 1,5	20,0	44,0	30,0	27	22
GAR NW 13 HL 3/8 VA	L	PN 315	15	Rosca 3/8" -19	M 22 x 1,5	17,0	46,0	27,0	24	27
GAR NW 13 HL VA	L	PN 315	15	Rosca 1/2" -14	M 22 x 1,5	20,0	45,0	30,0	27	27
GAR NW 16 HL 3/8 VA	L	PN 315	18	Rosca 3/8" -19	M 26 x 1,5	17,5	47,0	26,5	27	32
GAR NW 16 HL VA	L	PN 315	18	Rosca 1/2" -14	M 26 x 1,5	20,0	46,0	29,5	27	32
GAR NW 20 HL 1/2 VA	L	PN 160	22	Rosca 1/2" -14	M 30 x 2	20,0	55,0	33,5	32	36
GAR NW 20 HL VA	L	PN 160	22	Rosca 3/4" -14	M 30 x 2	22,0	51,0	34,5	32	36
GAR NW 25 HL VA	L	PN 160	28	Rosca 1" -11	M 36 x 2	24,5	53,5	37,0	41	41
GAR NW 32 HL VA	L	PN 160	35	Rosca 1.1/4" -11	M 45 x 2	26,5	60,5	39,0	50	50
GAR NW 40 HL VA	L	PN 160	42	Rosca 1.1/2" -11	M 52 x 2	28,5	63,5	40,5	55	60
GAR NW 03 HS 1/8 VA	S	PN 400	6	Rosca 1/8" -28	M 14 x 1,5	12,0	34,0	19,0	14	14
GAR NW 03 HS VA	S	PN 400	6	Rosca 1/4" -19	M 14 x 1,5	17,0	41,0	26,0	19	17
GAR NW 04 HS VA	S	PN 400	8	Rosca 1/4" -19	M 16 x 1,5	17,0	41,0	26,0	19	19
GAR NW 06 HS VA	S	PN 400	10	Rosca 3/8" -19	M 18 x 1,5	17,0	42,0	26,5	24	22
GAR NW 06 HS 1/2 VA	S	PN 400	10	Rosca 1/2" -14	M 18 x 1,5	20,0	49,5	30,5	27	22
GAR NW 08 HS 1/4 VA	S	PN 400	12	Rosca 1/4" -19	M 20 x 1,5	17,0	46,0	27,5	22	24
GAR NW 08 HS VA	S	PN 400	12	Rosca 3/8" -19	M 20 x 1,5	17,0	42,0	26,5	24	24
GAR NW 08 HS 1/2 VA	S	PN 400	12	Rosca 1/2" -14	M 20 x 1,5	20,0	50,0	30,5	27	24
GAR NW 10 HS VA	S	PN 400	14	Rosca 1/2" -14	M 22 x 1,5	20,0	50,0	32,0	27	27
GAR NW 13 HS VA	S	PN 400	16	Rosca 1/2" -14	M 24 x 1,5	20,0	50,0	31,5	27	30
GAR NW 16 HS 3/8 VA	S	PN 315	20	Rosca 3/8" -19	M 30 x 2	17,0	50,0	30,0	24	36
GAR NW 16 HS 1/2 VA	S	PN 315	20	Rosca 1/2" -14	M 30 x 2	20,0	57,0	32,5	32	36
GAR NW 16 HS VA	S	PN 315	20	Rosca 3/4" -14	M 30 x 2	22,0	56,0	34,5	36	36
GAR NW 20 HS VA	S	PN 315	25	Rosca 1" -11	M 36 x 2	24,5	61,5	37,5	41	46
GAR NW 25 HS VA	S	PN 315	30	Rosca 1.1/4" -11	M 42 x 2	26,5	68,5	42,0	50	50
GAR NW 32 HS VA	S	PN 250	38	Rosca 1.1/2" -11	M 52 x 2	28,5	74,5	43,5	60	60

Série: LL = muito leve L = leve S = pesada - PN = Pressão nominal PB = Pressão operacional máx. - Ø d2 = diâmetro externo do tubo

Variantes do produto

GAR	Conexão roscada, Aço
GAR MG	Conexão roscada, Latão
XGAR VA	Conexão roscada, Aço inoxidável