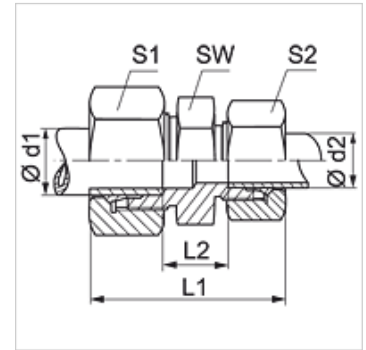


### Características

<b>Conexão 1</b>	Rosca externa métrica cilíndrica
<b>Tipo de vedação 1</b>	Cone interno 24°
<b>Conexão 2</b>	Rosca externa métrica cilíndrica
<b>Tipo de vedação 2</b>	Cone interno 24°
<b>Tipo</b>	União rosca
<b>Modelo</b>	reto
<b>Norma</b>	ISO 8434-1
<b>Escopo de fornecimento</b>	Conexão com porca e anilha
<b>Material</b>	Aço
<b>Proteção de superfície</b>	com revestimento galvanizado



### Nota

As instruções relativas à montagem e instalação, às cargas de pressão e às temperaturas operacionais admissíveis constam nas Informações Técnicas para Conexões para tubo.

### Artigo

Descrição	Série	Pressão operacional bar	Ø d1 (mm)	Ø d2 (mm)	L1 (mm)	L2 (mm)	SW (mm)	S1	S2
V 04 LL	LL	PN 100	4	4	31,0	12,0	9	10	10
V 05 LL	LL	PN 100	5	5	32,0	9,0	11	12	12
V 06 LL 04	LL	PN 100	6	4	32,0	10,5	11	12	10
V 06 LL	LL	PN 100	6	6	32,0	9,0	11	12	12
V 08 LL 04	LL	PN 100	8	4	34,0	12,5	12	14	10
V 08 LL 06	LL	PN 100	8	6	34,0	11,0	12	14	12
V 08 LL	LL	PN 100	8	8	35,0	12,0	12	14	14
V 10 LL	LL	PN 100	10	10	35,0	12,0	14	17	17
V 12 LL	LL	PN 100	12	12	35,0	11,0	17	19	19
V 16 LL	LL	PN 100	16	16	54,5	20,0	27	27	27
V NW 04 HL	L	PN 315	6	6	39,0	10,0	12	14	14
V NW 06 HL 04	L	PN 315	8	6	41,0	11,0	14	14	14
V NW 06 HL	L	PN 315	8	8	40,0	11,0	14	17	17
V NW 08 HL 04	L	PN 315	10	6	42,0	12,0	17	19	14
V NW 08 HL 06	L	PN 315	10	8	42,0	12,0	17	19	17
V NW 08 HL	L	PN 315	10	10	42,0	13,0	17	19	19
V NW 10 HL 04	L	PN 315	12	6	42,0	13,0	19	22	14
V NW 10 HL 06	L	PN 315	12	8	42,0	13,0	19	22	17
V NW 10 HL 08	L	PN 315	12	10	44,0	14,0	19	22	19
V NW 10 HL	L	PN 315	12	12	43,0	14,0	19	22	22
V NW 13 HL 04	L	PN 315	15	6	43,5	14,0	24	27	14
V NW 13 HL 06	L	PN 315	15	8	43,5	14,0	24	27	17
V NW 13 HL 08	L	PN 315	15	10	45,0	15,0	24	27	19
V NW 13 HL 10	L	PN 315	15	12	45,0	15,0	24	27	22
V NW 13 HL	L	PN 315	15	15	46,0	16,0	24	27	27
V NW 16 HL 04	L	PN 315	18	6	45,0	15,0	27	32	14
V NW 16 HL 06	L	PN 315	18	8	45,0	15,0	27	32	17
V NW 16 HL 08	L	PN 315	18	10	46,0	15,5	27	32	19
V NW 16 HL 10	L	PN 315	18	12	47,0	15,5	27	32	22
V NW 16 HL 10 27	L	PN 315	18	12	46,0	15,5	27	32	32
V NW 16 HL 13	L	PN 315	18	15	48,0	16,5	27	32	27
V NW 16 HL	L	PN 315	18	18	48,0	16,0	27	32	32
V NW 16 HL 27	L	PN 315	18	18	48,0	16,0	27	32	32
V NW 20 HL 06	L	PN 160	22	8	48,0	17,0	32	36	17
V NW 20 HL 08	L	PN 160	22	10	48,0	17,0	32	36	19
V NW 20 HL 10	L	PN 160	22	12	48,0	17,5	32	36	22
V NW 20 HL 13	L	PN 160	22	15	50,0	18,5	32	36	27
V NW 20 HL 16	L	PN 160	22	18	51,0	18,0	32	36	32
V NW 20 HL 16 27	L	PN 160	22	18	50,0	18,0	32	36	36
V NW 20 HL	L	PN 160	22	22	52,0	20,0	32	36	36
V NW 25 HL 06	L	PN 160	28	8	49,5	18,5	41	41	17
V NW 25 HL 08	L	PN 160	28	10	49,5	18,5	41	41	19



### Artigo

Descrição	Série	Pressão operacional bar	Ø d1 (mm)	Ø d2 (mm)	L1 (mm)	L2 (mm)	SW (mm)	S1	S2
V NW 25 HL 10	L	PN 160	28	12	51,0	19,0	41	41	22
V NW 25 HL 13	L	PN 160	28	15	51,0	19,5	41	41	27
V NW 25 HL 16	L	PN 160	28	18	52,0	19,0	41	41	32
V NW 25 HL 20	L	PN 160	28	22	54,0	21,0	41	41	36
V NW 25 HL	L	PN 160	28	28	54,0	21,0	41	41	41
V NW 32 HL 20	L	PN 160	35	22	59,0	21,0	46	50	36
V NW 32 HL 25	L	PN 160	35	28	59,0	21,0	46	50	41
V NW 32 HL	L	PN 160	35	35	63,0	20,0	46	50	50
V NW 40 HL 25	L	PN 160	42	28	62,0	22,5	65	60	41
V NW 40 HL 32	L	PN 160	42	35	66,0	21,5	55	60	50
V NW 40 HL	L	PN 160	42	42	66,0	21,0	55	60	60
V NW 16 HL 13 HS	L / S	PN 315	18	16	48,0	17,0	27	32	30
V NW 03 HS	S	PN 630	6	6	45,0	16,0	14	17	17
V NW 04 HS 03	S	PN 630	8	6	48,0	18,0	17	19	17
V NW 04 HS	S	PN 630	8	8	47,0	18,0	17	19	19
V NW 06 HS 03	S	PN 630	10	6	49,0	17,5	19	22	17
V NW 06 HS 04	S	PN 630	10	8	49,0	17,5	19	22	19
V NW 06 HS	S	PN 630	10	10	49,0	17,0	19	22	22
V NW 08 HS 03	S	PN 630	12	6	51,0	19,5	22	24	17
V NW 08 HS 04	S	PN 630	12	8	51,0	19,5	22	24	19
V NW 08 HS 06	S	PN 630	12	10	52,0	19,0	22	24	22
V NW 08 HS	S	PN 630	12	12	51,0	19,0	22	24	24
V NW 10 HS 03	S	PN 630	14	6	53,0	20,0	24	27	17
V NW 10 HS 04	S	PN 630	14	8	54,0	20,0	24	27	19
V NW 10 HS 06	S	PN 630	14	10	55,0	20,5	24	27	22
V NW 10 HS 08	S	PN 630	14	12	55,0	20,5	24	27	24
V NW 10 HS	S	PN 630	14	14	57,0	22,0	24	27	27
V NW 13 HS 03	S	PN 400	16	6	53,0	20,0	27	30	17
V NW 13 HS 04	S	PN 400	16	8	54,0	20,0	27	30	19
V NW 13 HS 06	S	PN 400	16	10	54,0	20,0	27	30	22
V NW 13 HS 08	S	PN 400	16	12	55,0	20,0	27	30	24
V NW 13 HS 10	S	PN 400	16	14	58,0	21,5	27	30	27
V NW 13 HS	S	PN 400	16	16	57,0	21,0	27	30	30
V NW 16 HS 06	S	PN 400	20	10	59,5	22,0	32	36	22
V NW 16 HS 08	S	PN 400	20	12	59,5	22,0	32	36	24
V NW 16 HS 10	S	PN 400	20	14	63,0	23,5	32	36	27
V NW 16 HS 13	S	PN 400	20	16	63,0	23,0	32	36	30
V NW 16 HS	S	PN 400	20	20	66,0	23,0	32	38	38
V NW 20 HS 13	S	PN 400	25	16	68,0	25,5	41	46	30
V NW 20 HS 16	S	PN 400	25	20	71,0	25,5	41	46	36
V NW 20 HS	S	PN 400	25	25	74,0	26,0	41	46	46
V NW 25 HS 13	S	PN 400	30	16	70,0	25,0	46	50	30
V NW 25 HS 16	S	PN 400	30	20	74,0	26,0	46	50	36
V NW 25 HS 20	S	PN 400	30	25	77,0	26,5	46	50	46
V NW 25 HS	S	PN 400	30	30	80,0	27,0	46	50	50
V NW 32 HS	S	PN 315	38	38	90,0	29,0	55	60	60
V NW 32 HS 13	S	PN 315	38	16	81,0	29,0	55	60	30
V NW 32 HS 20	S	PN 315	38	25	84,0	29,0	55	60	46
V NW 32 HS 25	S	PN 315	38	30	87,0	29,5	55	60	50
V NW 13 HS 13 HL	S / L	PN 400	16	15	60,0	22,0	27	30	27
V NW 16 HS 13 HL	S / L	PN 400	20	15	62,0	24,0	32	36	27
V NW 16 HS 16 HL	S / L	PN 400	20	18	62,0	24,0	32	36	32
V NW 20 HS 20 HL	S / L	PN 400	25	22	70,0	25,0	41	46	36

Série: LL = muito leve L = leve S = pesada - PN = Pressão nominal PB = Pressão operacional máx. - Ø d1 = diâmetro externo do tubo - Ø d2 = diâmetro externo do tubo

### Variantes do produto

V-LL MG / V-HL MG / V-HS MG	Conexão roscada, Latão
V-LL VA / V-HL VA / V-HS VA	Conexão roscada, Aço inoxidável
XV	Conexão roscada, Aço