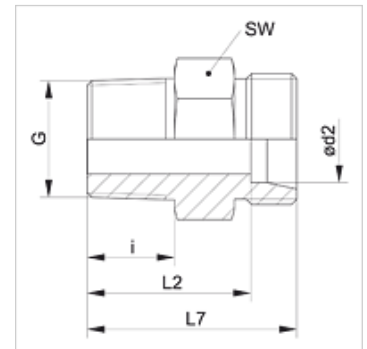
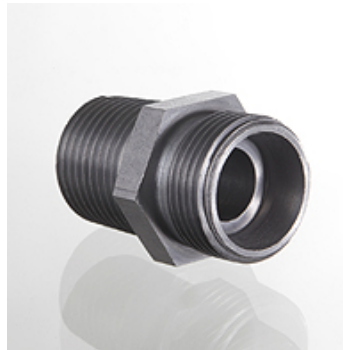


Características

| | |
|------------------------|----------------------------------|
| Conexão 1 | Rosca externa NPT |
| Tipo de vedação 1 | vedação roscada |
| Conexão 2 | Rosca externa métrica cilíndrica |
| Tipo de vedação 2 | Cone interno 24° |
| Tipo | União macho |
| Modelo | reto |
| Norma | DIN 2353 ISO 8434-1 |
| Escopo de fornecimento | Conexão (sem porca e anilha) |
| Material | Aço |
| Proteção de superfície | com revestimento galvanizado |



Nota

As instruções relativas à montagem e instalação, às cargas de pressão e às temperaturas operacionais admissíveis constam nas Informações Técnicas para Conexões para tubo.

Artigo

| Descrição | Série | Pressão operacional bar | Ø d2 (mm) | G | i (mm) | L2 (mm) | L7 (mm) | SW (mm) |
|------------------|-------|-------------------------|-----------|------------------|--------|---------|---------|---------|
| XVN 04 LL | LL | PN 100 | 4 | 1/8" -27 NPT | 10,0 | 18,0 | 22,0 | 11 |
| XVN 05 LL | LL | PN 100 | 5 | 1/8" -27 NPT | 10,0 | 16,5 | 22,0 | 11 |
| XVN 06 LL | LL | PN 100 | 6 | 1/8" -27 NPT | 10,0 | 16,5 | 22,0 | 11 |
| XVN 08 LL | LL | PN 100 | 8 | 1/8" -27 NPT | 10,0 | 18,5 | 24,0 | 12 |
| XVN NW 04 HL | L | PN 315 | 6 | 1/8" -27 NPT | 10,0 | 17,0 | 24,0 | 12 |
| XVN NW 04 HL 1/4 | L | PN 315 | 6 | 1/4" -18 NPT | 15,0 | 23,0 | 30,0 | 17 |
| XVN NW 04 HL 3/8 | L | PN 315 | 6 | 3/8" -18 NPT | 15,3 | 24,0 | 31,0 | 19 |
| XVN NW 04 HL 1/2 | L | PN 315 | 6 | 1/2" -14 NPT | 20,0 | 29,0 | 36,0 | 24 |
| XVN NW 06 HL 1/8 | L | PN 315 | 8 | 1/8" -27 NPT | 10,0 | 18,0 | 25,0 | 17 |
| XVN NW 06 HL | L | PN 315 | 8 | 1/4" -18 NPT | 15,0 | 23,0 | 30,0 | 17 |
| XVN NW 06 HL 3/8 | L | PN 315 | 8 | 3/8" -18 NPT | 15,3 | 24,0 | 31,0 | 19 |
| XVN NW 06 HL 1/2 | L | PN 315 | 8 | 1/2" -14 NPT | 20,0 | 29,0 | 36,0 | 24 |
| XVN NW 08 HL 1/8 | L | PN 315 | 10 | 1/8" -27 NPT | 10,0 | 19,0 | 26,0 | 17 |
| XVN NW 08 HL | L | PN 315 | 10 | 1/4" -18 NPT | 15,0 | 24,0 | 31,0 | 17 |
| XVN NW 08 HL 3/8 | L | PN 315 | 10 | 3/8" -18 NPT | 15,3 | 25,0 | 32,0 | 19 |
| XVN NW 08 HL 1/2 | L | PN 315 | 10 | 1/2" -14 NPT | 20,0 | 30,0 | 37,0 | 24 |
| XVN NW 10 HL 1/8 | L | PN 315 | 12 | 1/8" -27 NPT | 10,0 | 19,5 | 26,5 | 19 |
| XVN NW 10 HL 1/4 | L | PN 315 | 12 | 1/4" -18 NPT | 15,0 | 25,0 | 32,0 | 19 |
| XVN NW 10 HL | L | PN 315 | 12 | 3/8" -18 NPT | 15,3 | 25,0 | 32,0 | 19 |
| XVN NW 10 HL 1/2 | L | PN 315 | 12 | 1/2" -14 NPT | 20,0 | 30,0 | 37,0 | 24 |
| XVN NW 10 HL 3/4 | L | PN 315 | 12 | 3/4" -14 NPT | 20,2 | 31,0 | 38,0 | 27 |
| XVN NW 13 HL 1/4 | L | PN 315 | 15 | 1/4" -18 NPT | 15,0 | 26,0 | 33,0 | 24 |
| XVN NW 13 HL 3/8 | L | PN 315 | 15 | 3/8" -18 NPT | 15,3 | 26,5 | 33,5 | 24 |
| XVN NW 13 HL | L | PN 315 | 15 | 1/2" -14 NPT | 20,0 | 31,0 | 38,0 | 24 |
| XVN NW 13 HL 3/4 | L | PN 315 | 15 | 3/4" -14 NPT | 20,2 | 32,0 | 39,0 | 27 |
| XVN NW 16 HL 1/4 | L | PN 315 | 18 | 1/4" -18 NPT | 15,0 | 26,5 | 34,0 | 27 |
| XVN NW 16 HL | L | PN 315 | 18 | 1/2" -14 NPT | 20,0 | 31,5 | 39,0 | 27 |
| XVN NW 16 HL 3/4 | L | PN 315 | 18 | 3/4" -14 NPT | 20,2 | 31,5 | 39,0 | 27 |
| XVN NW 20 HL 1/2 | L | PN 160 | 22 | 1/2" -14 NPT | 20,0 | 33,5 | 41,0 | 32 |
| XVN NW 20 HL | L | PN 160 | 22 | 3/4" -14 NPT | 20,2 | 33,5 | 41,0 | 32 |
| XVN NW 25 HL | L | PN 160 | 28 | 1" -11,5 NPT | 25,0 | 39,5 | 47,0 | 41 |
| XVN NW 32 HL 1 | L | PN 160 | 35 | 1" -11,5 NPT | 25,0 | 40,0 | 50,5 | 46 |
| XVN NW 32 HL | L | PN 160 | 35 | 1.1/4" -11,5 NPT | 25,6 | 40,5 | 51,0 | 46 |
| XVN NW 40 HL | L | PN 160 | 42 | 1.1/2" -11,5 NPT | 26,0 | 42,0 | 53,0 | 55 |
| XVN NW 03 HS | S | PN 630 | 6 | 1/4" -18 NPT | 15,0 | 28,0 | 35,0 | 17 |
| XVN NW 03 HS 1/2 | S | PN 630 | 6 | 1/2" -14 NPT | 20,0 | 35,0 | 42,0 | 24 |
| XVN NW 04 HS | S | PN 630 | 8 | 1/4" -18 NPT | 15,0 | 28,0 | 35,0 | 17 |
| XVN NW 04 HS 3/8 | S | PN 630 | 8 | 3/8" -18 NPT | 15,3 | 28,0 | 35,0 | 19 |
| XVN NW 06 HS 1/4 | S | PN 630 | 10 | 1/4" -18 NPT | 15,0 | 27,5 | 35,0 | 19 |
| XVN NW 06 HS | S | PN 630 | 10 | 3/8" -18 NPT | 15,3 | 27,5 | 35,0 | 19 |



Artigo

| Descrição | Série | Pressão operacional bar | Ø d2 (mm) | G | i (mm) | L2 (mm) | L7 (mm) | SW (mm) |
|--------------------|-------|-------------------------|-----------|------------------|--------|---------|---------|---------|
| XVN NW 06 HS 1/2 | S | PN 630 | 10 | 1/2" -14 NPT | 20,0 | 34,5 | 42,0 | 24 |
| XVN NW 08 HS 1/4 | S | PN 630 | 12 | 1/4" -18 NPT | 15,0 | 29,0 | 36,5 | 22 |
| XVN NW 08 HS | S | PN 630 | 12 | 3/8" -18 NPT | 15,3 | 29,5 | 37,0 | 22 |
| XVN NW 08 HS 1/2 | S | PN 630 | 12 | 1/2" -14 NPT | 20,0 | 34,5 | 42,0 | 24 |
| XVN NW 10 HS 3/8 | S | PN 630 | 14 | 3/8" -18 NPT | 15,3 | 31,5 | 39,5 | 24 |
| XVN NW 10 HS | S | PN 630 | 14 | 1/2" -14 NPT | 20,0 | 36,0 | 44,0 | 24 |
| XVN NW 13 HS | S | PN 400 | 16 | 1/2" -14 NPT | 20,0 | 35,5 | 44,0 | 27 |
| XVN NW 13 HS 3/4 | S | PN 400 | 16 | 3/4" -14 NPT | 20,2 | 37,5 | 46,0 | 32 |
| XVN NW 16 HS 1/2 | S | PN 400 | 20 | 1/2" -14 NPT | 20,0 | 37,5 | 48,0 | 32 |
| XVN NW 16 HS | S | PN 400 | 20 | 3/4" -14 NPT | 20,2 | 37,5 | 48,0 | 32 |
| XVN NW 16 HS 1 | S | PN 400 | 20 | 1" -11,5 NPT | 25,0 | 44,5 | 55,0 | 41 |
| XVN NW 20 HS 3/4 | S | PN 400 | 25 | 3/4" -14 NPT | 20,2 | 40,0 | 52,0 | 41 |
| XVN NW 20 HS | S | PN 400 | 25 | 1" -11,5 NPT | 25,0 | 45,0 | 57,0 | 41 |
| XVN NW 20 HS 1 1/4 | S | PN 400 | 25 | 1.1/4" -11,5 NPT | 25,6 | 46,0 | 58,0 | 46 |
| XVN NW 25 HS 1 | S | PN 400 | 30 | 1" -11,5 NPT | 25,0 | 46,0 | 59,5 | 46 |
| XVN NW 25 HS | S | PN 400 | 30 | 1.1/4" -11,5 NPT | 25,6 | 46,5 | 60,0 | 46 |
| XVN NW 32 HS | S | PN 315 | 38 | 1.1/2" -11,5 NPT | 26,0 | 49,0 | 65,0 | 55 |

Série: LL = muito leve L = leve S = pesada - PN = Pressão nominal PB = Pressão operacional máx. - Ø d2 = diâmetro externo do tubo

Variantes do produto

| | |
|--------|---------------------------------|
| XVN VA | Conexão roscada, Aço inoxidável |
| VN | Conexão roscada, Aço |