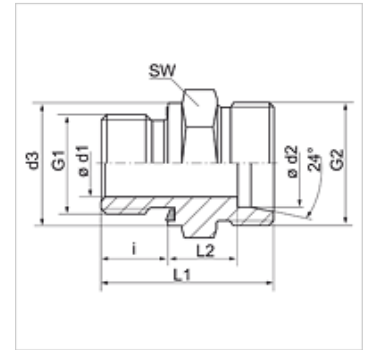


## Características

Conexão 1	Rosca externa BSP cilíndrica
Tipo de vedação 1	Forma E
Conexão 2	Rosca externa métrica cilíndrica
Tipo de vedação 2	Cone interno 24°
Tipo	União macho
Modelo	reto
Norma	DIN 2353 ISO 8434-1
Escopo de fornecimento	Conexão (sem porca e anilha)
Material	Aço
Proteção de superfície	com revestimento galvanizado



## Nota

As instruções relativas à montagem e instalação, às cargas de pressão e às temperaturas operacionais admissíveis constam nas Informações Técnicas para Conexões para tubo.

## Artigo

Descrição	Série	Pressão operacional bar	Ø d1 (mm)	Ø d2 (mm)	G1	G2	Ø d3 (mm)	i (mm)	L1 (mm)	L2 (mm)	SW (mm)
XVR 04 LL ED	LL	PN 100	-	4	Rosca 1/8" -28	M 8 x 1	14	8	20,0	9,5	14
XVR 06 LL ED	LL	PN 100	-	6	Rosca 1/8" -28	M 10 x 1	14	8	20,0	8,0	14
XVR NW 04 HL ED	L	PN 315	-	6	Rosca 1/8" -28	M 12 x 1,5	14	8	23,5	8,5	14
XVR NW 04 HL 1/4 ED	L	PN 315	-	6	Rosca 1/4" -19	M 12 x 1,5	20	12	29,0	10,0	19
XVR NW 04 HL 1/2 ED	L	PN 315	-	6	Rosca 1/2" -14	M 12 x 1,5	27	14	33,0	12,0	27
XVR NW 04 HL 3/8 ED	L	PN 315	-	6	Rosca 3/8" -19	M 12 x 1,5	22	12	29,5	10,5	22
XVR NW 06 HL 1/8 ED	L	PN 315	-	8	Rosca 1/8" -28	M 14 x 1,5	14	8	24,5	9,5	14
XVR NW 06 HL ED	L	PN 315	-	8	Rosca 1/4" -19	M 14 x 1,5	19	12	29,0	10,0	19
XVR NW 06 HL 3/8 ED	L	PN 315	-	8	Rosca 3/8" -19	M 14 x 1,5	22	12	30,5	11,5	22
XVR NW 06 HL 1/2 ED	L	PN 315	-	8	Rosca 1/2" -14	M 14 x 1,5	27	14	33,0	12,0	27
XVR NW 08 HL 1/8 ED	L	PN 315	-	10	Rosca 1/8" -28	M 16 x 1,5	14	8	25,5	10,5	19
XVR NW 08 HL ED	L	PN 315	-	10	Rosca 1/4" -19	M 16 x 1,5	19	12	30,0	11,0	19
XVR NW 08 HL 3/8 ED	L	PN 315	-	10	Rosca 3/8" -19	M 16 x 1,5	22	12	31,5	12,5	22
XVR NW 08 HL 1/2 ED	L	PN 315	-	10	Rosca 1/2" -14	M 16 x 1,5	27	14	34,0	13,0	27
XVR NW 10 HL 1/4 ED	L	PN 315	-	12	Rosca 1/4" -19	M 18 x 1,5	19	12	31,5	12,5	22
XVR NW 10 HL ED	L	PN 315	-	12	Rosca 3/8" -19	M 18 x 1,5	22	12	31,5	12,5	22
XVR NW 10 HL 1/2 ED	L	PN 315	-	12	Rosca 1/2" -14	M 18 x 1,5	27	14	34,0	13,0	27
XVR NW 10 HL 3/4 ED	L	PN 250	-	12	Rosca 3/4" -14	M 18 x 1,5	32	16	36,0	13,0	32
XVR NW 13 HL 3/8 ED	L	PN 315	-	15	Rosca 3/8" -19	M 22 x 1,5	22	12	33,0	14,0	27
XVR NW 13 HL ED	L	PN 315	-	15	Rosca 1/2" -14	M 22 x 1,5	27	14	35,0	14,0	27
XVR NW 13 HL 3/4 ED	L	PN 250	-	15	Rosca 3/4" -14	M 22 x 1,5	32	16	38,0	15,0	32
XVR NW 16 HL 3/8 ED	L	PN 315	-	18	Rosca 3/8" -19	M 26 x 1,5	22	12	33,5	14,0	27
XVR NW 16 HL ED	L	PN 315	-	18	Rosca 1/2" -14	M 26 x 1,5	27	14	36,0	14,5	27
XVR NW 16 HL 3/4 ED	L	PN 250	-	18	Rosca 3/4" -14	M 26 x 1,5	32	16	38,0	14,5	32
XVR NW 20 HL 1/2 ED	L	PN 160	-	22	Rosca 1/2" -14	M 30 x 2	27	14	38,0	16,5	32
XVR NW 20 HL ED	L	PN 160	-	22	Rosca 3/4" -14	M 30 x 2	32	16	40,0	16,5	32
XVR NW 20 HL 1 ED	L	PN 160	-	22	Rosca 1" -11	M 30 x 2	40	18	42,0	16,5	41
XVR NW 25 HL 3/4 ED	L	PN 160	-	28	Rosca 3/4" -14	M 36 x 2	32	16	41,0	17,5	41
XVR NW 25 HL ED	L	PN 160	-	28	Rosca 1" -11	M 36 x 2	40	18	43,0	17,5	41
XVR NW 25 HL 1 1/4 ED	L	PN 160	-	28	Rosca 1.1/4" -11	M 36 x 2	50	20	46,0	18,5	50
XVR NW 32 HL 1 ED	L	PN 160	-	35	Rosca 1" -11	M 45 x 2	40	18	46,0	17,5	50
XVR NW 32 HL ED	L	PN 160	-	35	Rosca 1.1/4" -11	M 45 x 2	50	20	48,0	17,5	50
XVR NW 32 HL 1 1/2 ED	L	PN 160	30	35	Rosca 1.1/2" -11	M 45 x 2	55	22	52,0	19,5	55
XVR NW 40 HL 1 1/4 ED	L	PN 160	-	42	Rosca 1.1/4" -11	M 52 x 2	50	20	50,0	19,0	55
XVR NW 40 HL ED	L	PN 160	-	42	Rosca 1.1/2" -11	M 52 x 2	55	22	52,0	19,0	55
XVR NW 03 HS ED	S	PN 630	-	6	Rosca 1/4" -19	M 14 x 1,5	19	12	32,0	13,0	19
XVR NW 03 HS 1/2 ED	S	PN 630	-	6	Rosca 1/2" -14	M 14 x 1,5	27	14	39,0	18,0	27
XVR NW 04 HS ED	S	PN 630	-	8	Rosca 1/4" -19	M 16 x 1,5	19	12	34,0	15,0	19
XVR NW 04 HS 3/8 ED	S	PN 630	-	8	Rosca 3/8" -19	M 16 x 1,5	22	12	34,5	15,5	22
XVR NW 06 HS 1/4 ED	S	PN 630	-	10	Rosca 1/4" -19	M 18 x 1,5	19	12	34,0	14,5	22



## Artigo

Descrição	Série	Pressão operacional bar	Ø d1 (mm)	Ø d2 (mm)	G1	G2	Ø d3 (mm)	i (mm)	L1 (mm)	L2 (mm)	SW (mm)
XVR NW 06 HS ED	S	PN 630	-	10	Rosca 3/8" -19	M 18 x 1,5	22	12	34,5	15,0	22
XVR NW 06 HS 1/2 ED	S	PN 630	-	10	Rosca 1/2" -14	M 18 x 1,5	27	14	39,0	17,5	27
XVR NW 08 HS 1/4 ED	S	PN 630	-	12	Rosca 1/4" -19	M 20 x 1,5	19	12	36,0	16,5	22
XVR NW 08 HS ED	S	PN 630	-	12	Rosca 3/8" -19	M 20 x 1,5	22	12	36,5	17,0	22
XVR NW 08 HS 1/2 ED	S	PN 630	-	12	Rosca 1/2" -14	M 20 x 1,5	27	14	39,0	17,5	27
XVR NW 10 HS 3/8 ED	S	PN 630	-	14	Rosca 3/8" -19	M 22 x 1,5	22	12	38,5	18,5	27
XVR NW 10 HS ED	S	PN 630	-	14	Rosca 1/2" -14	M 22 x 1,5	27	14	41,0	19,0	27
XVR NW 10 HS 3/4 ED	S	PN 630	-	14	Rosca 3/4" -14	M 22 x 1,5	32	16	45,0	21,0	32
XVR NW 13 HS 3/8 ED	S	PN 400	-	16	Rosca 3/8" -19	M 24 x 1,5	22	12	38,5	18,0	27
XVR NW 13 HS ED	S	PN 400	-	16	Rosca 1/2" -14	M 24 x 1,5	27	14	41,0	18,5	27
XVR NW 13 HS 3/4 ED	S	PN 400	-	16	Rosca 3/4" -14	M 24 x 1,5	32	16	45,0	20,5	32
XVR NW 13 HS 1 ED	S	PN 400	-	16	Rosca 1"	M 24 x 1,5	39	18	45,5	18,8	41
XVR NW 16 HS 1/2 ED	S	PN 400	-	20	Rosca 1/2" -14	M 30 x 2	27	14	45,0	20,5	32
XVR NW 16 HS ED	S	PN 400	-	20	Rosca 3/4" -14	M 30 x 2	32	16	47,0	20,5	32
XVR NW 16 HS 1 ED	S	PN 400	-	20	Rosca 1" -11	M 30 x 2	40	18	51,0	22,5	41
XVR NW 20 HS 1/2 ED	S	PN 400	-	25	Rosca 1/2" -14	M 36 x 2	27	14	49,0	23,0	41
XVR NW 20 HS 3/4 ED	S	PN 400	-	25	Rosca 3/4" -14	M 36 x 2	32	16	51,0	23,0	41
XVR NW 20 HS ED	S	PN 400	-	25	Rosca 1" -11	M 36 x 2	40	18	53,0	23,0	41
XVR NW 25 HS 1 ED	S	PN 400	-	30	Rosca 1" -11	M 42 x 2	40	18	55,0	23,5	50
XVR NW 25 HS ED	S	PN 400	-	30	Rosca 1.1/4" -11	M 42 x 2	50	20	57,0	23,5	50
XVR NW 32 HS 1 1/4 ED	S	PN 315	-	38	Rosca 1.1/4" -11	M 52 x 2	50	20	62,0	26,0	55
XVR NW 32 HS ED	S	PN 315	-	38	Rosca 1.1/2" -11	M 52 x 2	55	22	64,0	26,0	55

Série: LL = muito leve L = leve S = pesada - PN = Pressão nominal PB = Pressão operacional máx. - Ø d2 = diâmetro externo do tubo

## Variantes do produto

XVR ED VA	Conexão roscada, Aço inoxidável
VR ED	Conexão roscada, Aço

## Acessório para

WD	Vedação em elastômero para conexões ED
----	--