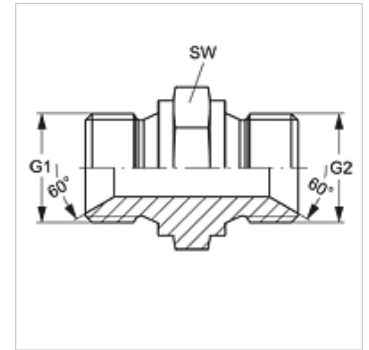


# G HB VA

## Conexão roscada

### Características

<b>Conexão 1</b>	Rosca externa BSP cilíndrica
<b>Tipo de vedação 1</b>	Cone interno 60°
<b>Conexão 2</b>	Rosca externa BSP cilíndrica
<b>Tipo de vedação 2</b>	Cone interno 60°
<b>Tipo</b>	Adaptador de conexão
<b>Modelo</b>	reto
<b>Material</b>	Aço inoxidável



### Artigo

Descrição	G1	G2	SW (mm)
G HB 02 VA	Rosca 1/8" -28	Rosca 1/8" -28	14
G HB 02 HB 04 VA	Rosca 1/8" -28	Rosca 1/4" -19	19
G HB 02 HB 06 VA	Rosca 1/8" -28	Rosca 3/8" -19	22
G HB 04 VA	Rosca 1/4" -19	Rosca 1/4" -19	19
G HB 04 HB 06 VA	Rosca 1/4" -19	Rosca 3/8" -19	22
G HB 04 HB 08 VA	Rosca 1/4" -19	Rosca 1/2" -14	27
G HB 04 HB 12 VA	Rosca 1/4" -19	Rosca 3/4" -14	32
G HB 06 VA	Rosca 3/8" -19	Rosca 3/8" -19	22
G HB 06 HB 08 VA	Rosca 3/8" -19	Rosca 1/2" -14	27
G HB 06 HB 10 VA	Rosca 3/8" -19	Rosca 5/8" -14	32
G HB 06 HB 12 VA	Rosca 3/8" -19	Rosca 3/4" -14	32
G HB 06 HB 16 VA	Rosca 3/8" -19	Rosca 1" -11	41
G HB 08 VA	Rosca 1/2" -14	Rosca 1/2" -14	27
G HB 08 HB 10 VA	Rosca 1/2" -14	Rosca 5/8" -14	30
G HB 08 HB 12 VA	Rosca 1/2" -14	Rosca 3/4" -14	32
G HB 08 HB 16 VA	Rosca 1/2" -14	Rosca 1" -11	41
G HB 08 HB 20 VA	Rosca 1/2" -14	Rosca 1.1/4" -11	50
G HB 10 VA	Rosca 5/8" -14	Rosca 5/8" -14	30
G HB 10 HB 12 VA	Rosca 5/8" -14	Rosca 3/4" -14	32
G HB 12 VA	Rosca 3/4" -14	Rosca 3/4" -14	32
G HB 12 HB 16 VA	Rosca 3/4" -14	Rosca 1" -11	41
G HB 12 HB 20 VA	Rosca 3/4" -14	Rosca 1.1/4" -11	50
G HB 12 HB 24 VA	Rosca 3/4" -14	Rosca 1.1/2" -11	55
G HB 16 VA	Rosca 1" -11	Rosca 1" -11	41
G HB 16 HB 20 VA	Rosca 1"	Rosca 1.1/4" -11	50
G HB 16 HB 24 VA	Rosca 1" -11	Rosca 1.1/2" -11	55
G HB 16 HB 32 VA	Rosca 1" -11	Rosca 2" -11	70
G HB 20 VA	Rosca 1.1/4" -11	Rosca 1.1/4" -11	50
G HB 20 HB 24 VA	Rosca 1.1/4" -11	Rosca 1.1/2" -11	55
G HB 20 HB 32 VA	Rosca 1.1/4" -11	Rosca 2" -11	70
G HB 24 VA	Rosca 1.1/2" -11	Rosca 1.1/2" -11	55
G HB 24 HB 32 VA	Rosca 1.1/2" -11	Rosca 2" -11	70
G HB 32 VA	Rosca 2" -11	Rosca 2" -11	70

SW = tamanho da chave

### Variantes do produto

<b>G HB</b>	Conexão roscada, Aço
-------------	----------------------