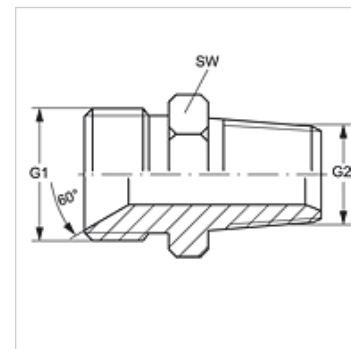


Características

Conexão 1	Rosca externa BSP cilíndrica
Tipo de vedação 1	Cone interno 60°
Conexão 2	Rosca externa NPT
Tipo de vedação 2	vedação roscada
Tipo	Adaptador rosca macho
Modelo	reto
Material	Aço
Proteção de superfície	com revestimento galvanizado



Artigo

Descrição	G1	G2	SW (mm)
GE HB 02 HN	Rosca 1/8" -28	1/8" -27 NPT	11
GE HB 02 HN 04	Rosca 1/8" -28	1/4" -18 NPT	17
GE HB 04 HN 02	Rosca 1/4" -19	1/8" -27 NPT	17
GE HB 04 HN	Rosca 1/4" -19	1/4" -18 NPT	17
GE HB 04 HN 06	Rosca 1/4" -19	3/8" -18 NPT	17
GE HB 04 HN 08	Rosca 1/4" -19	1/2" -14 NPT	22
GE HB 04 HN 12	Rosca 1/4" -19	3/4" -14 NPT	27
GE HB 06 HN 02	Rosca 3/8" -19	1/8" -27 NPT	17
GE HB 06 HN 04	Rosca 3/8" -19	1/4" -18 NPT	17
GE HB 06 HN	Rosca 3/8" -19	3/8" -18 NPT	17
GE HB 06 HN 08	Rosca 3/8" -19	1/2" -14 NPT	22
GE HB 06 HN 12	Rosca 3/8" -19	3/4" -14 NPT	27
GE HB 06 HN 16	Rosca 3/8" -19	1" -11,5 NPT	36
GE HB 08 HN 04	Rosca 1/2" -14	1/4" -18 NPT	22
GE HB 08 HN 06	Rosca 1/2" -14	3/8" -18 NPT	22
GE HB 08 HN	Rosca 1/2" -14	1/2" -14 NPT	22
GE HB 08 HN 12	Rosca 1/2" -14	3/4" -14 NPT	27
GE HB 08 HN 16	Rosca 1/2" -14	1" -11,5 NPT	36
GE HB 10 HN 08	Rosca 5/8" -14	1/2" -14 NPT	27
GE HB 10 HN 12	Rosca 5/8" -14	3/4" -14 NPT	27
GE HB 12 HN 04	Rosca 3/4" -14	1/4" -18 NPT	27
GE HB 12 HN 06	Rosca 3/4" -14	3/8" -18 NPT	27
GE HB 12 HN 08	Rosca 3/4" -14	1/2" -14 NPT	27
GE HB 12 HN	Rosca 3/4" -14	3/4" -14 NPT	27
GE HB 12 HN 16	Rosca 3/4" -14	1" -11,5 NPT	36
GE HB 12 HN 20	Rosca 3/4" -14	1.1/4" -11,5 NPT	46
GE HB 16 HN 08	Rosca 1" -11	1/2" -14 NPT	36
GE HB 16 HN 12	Rosca 1" -11	3/4" -14 NPT	36
GE HB 16 HN	Rosca 1" -11	1" -11,5 NPT	36
GE HB 16 HN 20	Rosca 1" -11	1.1/4" -11,5 NPT	46
GE HB 16 HN 24	Rosca 1" -11	1.1/2" -11,5 NPT	50
GE HB 16 HN 32	Rosca 1" -11	2" -11,5 NPT	65
GE HB 20 HN 12	Rosca 1.1/4" -11	3/4" -14 NPT	46
GE HB 20 HN 16	Rosca 1.1/4" -11	1" -11,5 NPT	46
GE HB 20 HN	Rosca 1.1/4" -11	1.1/4" -11,5 NPT	46
GE HB 20 HN 24	Rosca 1.1/4" -11	1.1/2" -11,5 NPT	50
GE HB 24 HN 16	Rosca 1.1/2" -11	1" -11,5 NPT	50
GE HB 24 HN 20	Rosca 1.1/2" -11	1.1/4" -11,5 NPT	50
GE HB 24 HN	Rosca 1.1/2" -11	1.1/2" -11,5 NPT	50
GE HB 24 HN 32	Rosca 1.1/2" -11	2" -11,5 NPT	65
GE HB 32 HN 20	Rosca 2" -11	1.1/4" -11,5 NPT	65
GE HB 32 HN 24	Rosca 2" -11	1.1/2" -11,5 NPT	65
GE HB 32 HN	Rosca 2" -11	2" -11,5 NPT	65

SW = tamanho da chave

Variantes do produto

GE HB HN VA	Conexão roscada, Aço inoxidável
-------------	---------------------------------