

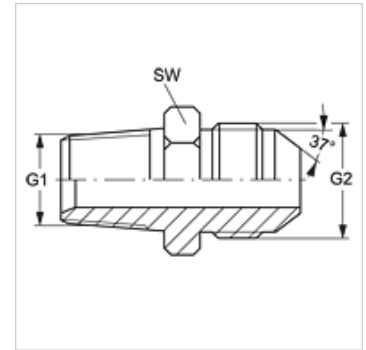
GE HRK HJ

Conexão roscada

HANSA FLEX

Características

Conexão 1	Rosca externa BSPT cônica
Tipo de vedação 1	vedação roscada
Conexão 2	Rosca externa UN/UNF
Tipo de vedação 2	Cone externo 74°
Tipo	Adaptador rosca macho
Modelo	reto
Material	Aço
Proteção de superfície	com revestimento galvanizado



Artigo

Descrição	G1	G2	SW (mm)
GE HRK 02 HJ 04	R 1/8" K	7/16" -20 UNF	14
GE HRK 02 HJ 05	R 1/8" K	1/2" -20 UNF	14
GE HRK 04 HJ	R 1/4" K	7/16" -20 UNF	14
GE HRK 04 HJ 05	R 1/4" K	1/2" -20 UNF	14
GE HRK 04 HJ 06	R 1/4" K	9/16" -18 UNF	19
GE HRK 04 HJ 08	R 1/4" K	3/4" -16 UNF	22
GE HRK 06 HJ 04	R 3/8" K	7/16" -20 UNF	19
GE HRK 06 HJ 05	R 3/8" K	1/2" -20 UNF	19
GE HRK 06 HJ	R 3/8" K	9/16" -18 UNF	19
GE HRK 06 HJ 08	R 3/8" K	3/4" -16 UNF	22
GE HRK 06 HJ 10	R 3/8" K	7/8" -14 UNF	24
GE HRK 06 HJ 12	R 3/8" K	1.1/16" -12 UN	27
GE HRK 08 HJ 06	R 1/2" K	9/16" -18 UNF	22
GE HRK 08 HJ	R 1/2" K	3/4" -16 UNF	22
GE HRK 08 HJ 10	R 1/2" K	7/8" -14 UNF	24
GE HRK 08 HJ 12	R 1/2" K	1.1/16" -12 UN	27
GE HRK 08 HJ 16	R 1/2" K	1.5/16" -12 UN	36
GE HRK 10 HJ	R 5/8" K	7/8" -14 UNF	24
GE HRK 12 HJ 06	R 3/4" K	9/16" -18 UNF	27
GE HRK 12 HJ 08	R 3/4" K	3/4" -16 UNF	27
GE HRK 12 HJ 10	R 3/4" K	7/8" -14 UNF	27
GE HRK 12 HJ	R 3/4" K	1.1/16" -12 UN	27
GE HRK 12 HJ 16	R 3/4" K	1.5/16" -12 UN	36
GE HRK 12 HJ 20	R 3/4" K	1.5/8" -12 UN	46
GE HRK 16 HJ 08	R 1" K	3/4" -16 UNF	36
GE HRK 16 HJ 10	R 1" K	7/8" -14 UNF	36
GE HRK 16 HJ 12	R 1" K	1.1/16" -12 UN	36
GE HRK 16 HJ	R 1" K	1.5/16" -12 UN	36
GE HRK 16 HJ 20	R 1" K	1.5/8" -12 UN	46
GE HRK 20 HJ 12	R 1.1/4" K	1.1/16" -12 UN	46
GE HRK 20 HJ 16	R 1.1/4" K	1.5/16" -12 UN	46
GE HRK 20 HJ	R 1.1/4" K	1.5/8" -12 UN	46
GE HRK 20 HJ 24	R 1.1/4" K	1.7/8" -12 UN	50
GE HRK 24 HJ 16	R 1.1/2" K	1.5/16" -12 UN	50
GE HRK 24 HJ 20	R 1.1/2" K	1.5/8" -12 UN	50
GE HRK 24 HJ	R 1.1/2" K	1.7/8" -12 UN	50
GE HRK 24 HJ 32	R 1.1/2" K	2.1/2" -12 UN	65
GE HRK 32 HJ	R 2" K	2.1/2" -12 UN	65
GE HRK 40 HJ	R 2.1/2" K	3" -11 UN	70
GE HRK 48 HJ	R 3" K	3.1/2" -11 UN	80

SW = tamanho da chave

Variantes do produto

GE HRK HJ VA Conexão roscada, Aço inoxidável