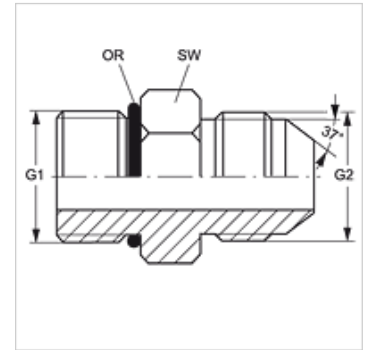
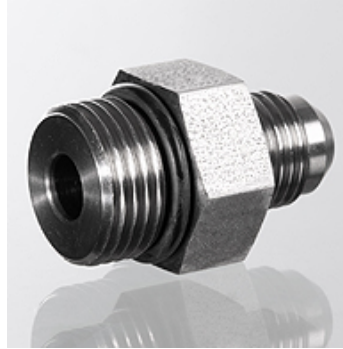


### Características

Conexão 1	Rosca externa BSP cilíndrica
Tipo de vedação 1	Forma G
Conexão 2	Rosca externa UN/UNF
Tipo de vedação 2	Cone externo 74°
Tipo	Adaptador rosca macho
Modelo	reto
Material	Aço
Proteção de superfície	com revestimento galvanizado



### Artigo

Descrição	G1	G2	SW (mm)	OR
GE HRO 02 HJ 04	Rosca 1/8" -28	7/16" -20 UNF	16	7,65 x 1,78
GE HRO 02 HJ 05	Rosca 1/8" -28	1/2" -20 UNF	16	7,65 x 1,78
GE HRO 04 HJ	Rosca 1/4" -19	7/16" -20 UNF	19	10,78 x 2,62
GE HRO 04 HJ 05	Rosca 1/4" -19	1/2" -20 UNF	19	10,78 x 2,62
GE HRO 04 HJ 06	Rosca 1/4" -19	9/16" -18 UNF	19	10,78 x 2,62
GE HRO 04 HJ 08	Rosca 1/4" -19	3/4" -16 UNF	19	10,78 x 2,62
GE HRO 06 HJ 04	Rosca 3/8" -19	7/16" -20 UNF	24	13,94 x 2,62
GE HRO 06 HJ 05	Rosca 3/8" -19	1/2" -20 UNF	24	13,94 x 2,62
GE HRO 06 HJ	Rosca 3/8" -19	9/16" -18 UNF	24	13,94 x 2,62
GE HRO 06 HJ 08	Rosca 3/8" -19	3/4" -16 UNF	24	13,94 x 2,62
GE HRO 06 HJ 10	Rosca 3/8" -19	7/8" -14 UNF	24	13,94 x 2,62
GE HRO 08 HJ 04	Rosca 1/2" -14	7/16" -20 UNF	28	17,86 x 2,62
GE HRO 08 HJ 06	Rosca 1/2" -14	9/16" -18 UNF	28	17,86 x 2,62
GE HRO 08 HJ	Rosca 1/2" -14	3/4" -16 UNF	28	17,86 x 2,62
GE HRO 08 HJ 10	Rosca 1/2" -14	7/8" -14 UNF	28	17,86 x 2,62
GE HRO 08 HJ 12	Rosca 1/2" -14	1.1/16" -12 UN	28	17,86 x 2,62
GE HRO 12 HJ 08	Rosca 3/4" -14	3/4" -16 UNF	35	23,47 x 2,62
GE HRO 12 HJ	Rosca 3/4" -14	1.1/16" -12 UN	35	23,47 x 2,62
GE HRO 12 HJ 14	Rosca 3/4" -14	1.3/16" -12 UN	35	23,47 x 2,62
GE HRO 12 HJ 16	Rosca 3/4" -14	1.5/16" -12 UN	35	23,47 x 2,62
GE HRO 16 HJ 12	Rosca 1" -11	1.1/16" -12 UN	43	29,74 x 3,53
GE HRO 16 HJ	Rosca 1" -11	1.5/16" -12 UN	43	29,74 x 3,53
GE HRO 16 HJ 20	Rosca 1" -11	1.5/8" -12 UN	43	29,74 x 3,53
GE HRO 20 HJ 16	Rosca 1.1/4" -11	1.5/16" -12 UN	52	37,69 x 3,53
GE HRO 20 HJ	Rosca 1.1/4" -11	1.5/8" -12 UN	52	37,69 x 3,53
GE HRO 20 HJ 24	Rosca 1.1/4" -11	1.7/8" -12 UN	52	37,69 x 3,53
GE HRO 24 HJ	Rosca 1.1/2" -11	1.7/8" -12 UN	58	44,04 x 3,53

SW = tamanho da chave