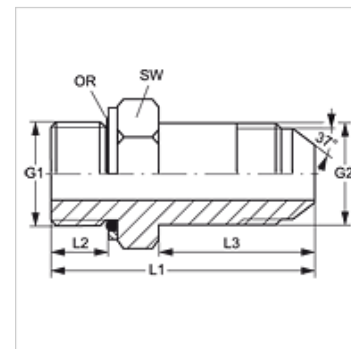


GE HROK L HJ

Conexão roscada, longo

Características

Conexão 1	Rosca externa BSP cilíndrica
Tipo de vedação 1	Adaptador roscado com O-ring + anel de câmara
Conexão 2	Rosca externa UN/UNF
Tipo de vedação 2	Cone externo 74°
Tipo	Adaptador rosca macho longo
Modelo	reto
Material	Aço
Proteção de superfície	com revestimento galvanizado



Artigo

Descrição	G1	G2	L1 (mm)	L2 (mm)	L3 (mm)	SW (mm)	OR
GE HROK L 02 HJ 04	Rosca 1/8" -28	7/16" -20 UNF	50,0	7,0	35	16	7,65 x 1,78
GE HROK L 04 HJ	Rosca 1/4" -19	7/16" -20 UNF	55,5	10,0	35	20	10,78 x 2,62
GE HROK L 04 HJ 05	Rosca 1/4" -19	1/2" -20 UNF	57,5	10,0	37	20	10,78 x 2,62
GE HROK L 04 HJ 06	Rosca 1/4" -19	9/16" -18 UNF	59,5	10,0	39	20	10,78 x 2,62
GE HROK L 04 HJ 08	Rosca 1/4" -19	3/4" -16 UNF	68,5	10,0	48	20	10,78 x 2,62
GE HROK L 06 HJ	Rosca 3/8" -19	9/16" -18 UNF	59,5	10,0	39	24	13,94 x 2,62
GE HROK L 06 HJ 05	Rosca 3/8" -19	1/2" -20 UNF	57,5	10,0	37	24	13,94 x 2,62
GE HROK L 06 HJ 08	Rosca 3/8" -19	3/4" -16 UNF	68,5	10,0	48	24	13,94 x 2,62
GE HROK L 06 HJ 10	Rosca 3/8" -19	7/8" -14 UNF	74,0	10,0	53	24	13,94 x 2,62
GE HROK L 08 HJ	Rosca 1/2" -14	3/4" -16 UNF	72,0	12,0	48	28	17,86 x 2,62
GE HROK L 08 HJ 06	Rosca 1/2" -14	9/16" -18 UNF	63,0	12,0	39	28	17,86 x 2,62
GE HROK L 08 HJ 10	Rosca 1/2" -14	7/8" -14 UNF	77,0	12,0	53	28	17,86 x 2,62
GE HROK L 08 HJ 12	Rosca 1/2" -14	1.1/16" -12 UN	88,0	12,0	63	28	17,86 x 2,62
GE HROK L 12 HJ	Rosca 3/4" -14	1.1/16" -12 UN	91,0	14,0	63	35	23,47 x 2,62
GE HROK L 12 HJ 10	Rosca 3/4" -14	7/8" -14 UNF	81,0	14,0	53	35	23,47 x 2,62
GE HROK L 12 HJ 16	Rosca 3/4" -14	1.5/16" -12 UN	100,0	14,0	72	36	23,47 x 2,62
GE HROK L 16 HJ	Rosca 1" -11	1.5/16" -12 UN	102,0	15,5	72	43	29,74 x 3,53
GE HROK L 16 HJ 12	Rosca 1" -11	1.1/16" -12 UN	93,5	15,5	63	43	29,74 x 3,53
GE HROK L 16 HJ 20	Rosca 1" -11	1.5/8" -12 UN	119,0	15,5	88	43	29,74 x 3,53
GE HROK L 20 HJ	Rosca 1.1/4" -11	1.5/8" -12 UN	122,0	17,5	88	52	37,69 x 3,53
GE HROK L 20 HJ 16	Rosca 1.1/4" -11	1.5/16" -12 UN	106,0	17,5	72	52	37,69 x 3,53
GE HROK L 20 HJ 24	Rosca 1.1/4" -11	1.7/8" -12 UN	132,0	17,5	98	52	37,69 x 3,53
GE HROK L 24 HJ	Rosca 1.1/2" -11	1.7/8" -12 UN	136,0	19,5	98	58	44,04 x 3,53

SW = tamanho da chave

Acessório para

KAMRING G Anel de câmara, em polegada