

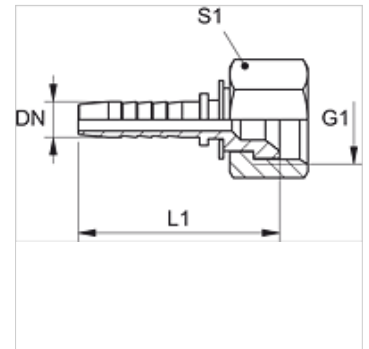
PN AJ

Terminal para prensar, DKJ

HANSA FLEX

Características

| | |
|-------------------------------|---|
| Campo de aplicação | Terminal para prensar para mangueiras HD 100 a HD 400, KP, TE |
| Conexão 1 | Rosca fêmea UN/UNF |
| Tipo de vedação 1 | Cone interno 74° |
| Abreviatura | DKJ |
| Norma | ISO 8434-2 |
| Material | Aço |
| Proteção de superfície | com revestimento galvanizado |



Nota

Selecione o terminal adequado de acordo com o tipo de mangueira.

Artigo

| Descrição | DN | Tamanho | Polegada | Pressão operacional (bar) | G1 | L1 (mm) | S1 |
|--------------|----|---------|----------|---------------------------|----------------|---------|----|
| PN 04 AJ 06 | 5 | 3 | 3/16" | 410,0 | 7/16" -20 UNF | 36,0 | 14 |
| PN 06 AJ | 6 | 4 | 1/4" | 410,0 | 7/16" -20 UNF | 42,0 | 14 |
| PN 06 AJ 08 | 6 | 4 | 1/4" | 410,0 | 1/2" -20 UNF | 43,0 | 17 |
| PN 06 AJ 10 | 6 | 4 | 1/4" | 350,0 | 9/16" -18 UNF | 44,5 | 19 |
| PN 06 AJ 3/8 | 6 | 4 | 1/4" | 410,0 | 3/8" -24 UNF | 43,5 | 14 |
| PN 08 AJ | 8 | 5 | 5/16" | 410,0 | 1/2" -20 UNF | 43,0 | 17 |
| PN 08 AJ 10 | 8 | 5 | 5/16" | 350,0 | 9/16" -18 UNF | 45,0 | 19 |
| PN 08 AJ 13 | 8 | 5 | 5/16" | 345,0 | 3/4" -16 UNF | 46,5 | 24 |
| PN 10 AJ 08 | 10 | 6 | 3/8" | 350,0 | 1/2" -20 UNF | 47,0 | 17 |
| PN 10 AJ | 10 | 6 | 3/8" | 350,0 | 9/16" -18 UNF | 46,0 | 19 |
| PN 10 AJ 13 | 10 | 6 | 3/8" | 345,0 | 3/4" -16 UNF | 48,5 | 24 |
| PN 10 AJ 16 | 10 | 6 | 3/8" | 345,0 | 7/8" -14 UNF | 49,5 | 27 |
| PN 13 AJ | 12 | 8 | 1/2" | 345,0 | 3/4" -16 UNF | 48,0 | 24 |
| PN 13 AJ 10 | 12 | 8 | 1/2" | 345,0 | 9/16" -18 UNF | 49,0 | 19 |
| PN 13 AJ 16 | 12 | 8 | 1/2" | 345,0 | 7/8" -14 UNF | 50,5 | 27 |
| PN 13 AJ 20 | 12 | 8 | 1/2" | 345,0 | 1.1/16" -12 UN | 51,0 | 32 |
| PN 16 AJ | 16 | 10 | 5/8" | 345,0 | 7/8" -14 UNF | 53,5 | 27 |
| PN 16 AJ 20 | 16 | 10 | 5/8" | 345,0 | 1.1/16" -12 UN | 56,0 | 32 |
| PN 20 AJ 14 | 19 | 12 | 3/4" | 345,0 | 1.3/16" -12 UN | 64,0 | 36 |
| PN 20 AJ 16 | 19 | 12 | 3/4" | 345,0 | 7/8" -14 UNF | 62,5 | 27 |
| PN 20 AJ | 19 | 12 | 3/4" | 345,0 | 1.1/16" -12 UN | 63,0 | 32 |
| PN 20 AJ 25 | 19 | 12 | 3/4" | 275,0 | 1.5/16" -12 UN | 64,0 | 41 |
| PN 25 AJ 20 | 25 | 16 | 1" | 275,0 | 1.1/16" -12 UN | 71,0 | 32 |
| PN 25 AJ | 25 | 16 | 1" | 275,0 | 1.5/16" -12 UN | 72,0 | 41 |
| PN 25 AJ 32 | 25 | 16 | 1" | 200,0 | 1.5/8" -12 UN | 74,0 | 50 |
| PN 32 AJ 25 | 31 | 20 | 1.1/4" | 200,0 | 1.5/16" -12 UN | 83,5 | 41 |
| PN 32 AJ | 31 | 20 | 1.1/4" | 200,0 | 1.5/8" -12 UN | 82,0 | 50 |
| PN 32 AJ 40 | 31 | 20 | 1.1/4" | 170,0 | 1.7/8" -12 UN | 84,0 | 60 |
| PN 40 AJ 32 | 38 | 24 | 1.1/2" | 170,0 | 1.5/8" -12 UN | 88,0 | 50 |
| PN 40 AJ | 38 | 24 | 1.1/2" | 170,0 | 1.7/8" -12 UN | 87,5 | 60 |
| PN 50 AJ | 51 | 32 | 2" | 170,0 | 2.1/2" -12 UN | 108,0 | 75 |

Variantes do produto

PN AJ VA Terminal para prensar, DKJ, Aço inoxidável