

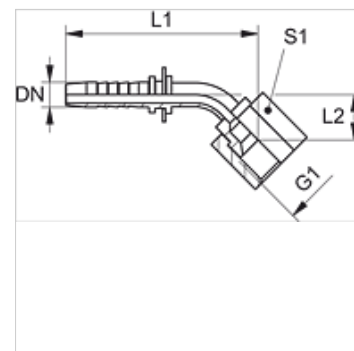
# PN AJ 45

Terminal para prensar, DKJ A45°

**HANSA FLEX**

## Características

<b>Campo de aplicação</b>	Terminal para prensar para mangueiras HD 100 a HD 400, KP, TE
<b>Conexão 1</b>	Rosca fêmea UN/UNF
<b>Tipo de vedação 1</b>	Cone interno 74°
<b>Abreviatura</b>	DKJ
<b>Norma</b>	ISO 8434-2
<b>Material</b>	Aço
<b>Proteção de superfície</b>	com revestimento galvanizado



## Nota

Selecione o terminal adequado de acordo com o tipo de mangueira.

## Artigo

Descrição	DN	Tamanho	Polegada	Pressão operacional (bar)	G1	L1 (mm)	L2 (mm)	S1
PN 04 AJ 06 45	5	3	3/16"	410,0	7/16" -20 UNF	54,5	12,5	14
PN 06 AJ 45	6	4	1/4"	410,0	7/16" -20 UNF	61,5	14,0	14
PN 06 AJ 08 45	6	4	1/4"	410,0	1/2" -20 UNF	62,0	13,5	17
PN 06 AJ 10 45	6	4	1/4"	350,0	9/16" -18 UNF	62,5	14,0	19
PN 08 AJ 45	8	5	5/16"	410,0	1/2" -20 UNF	68,5	18,5	17
PN 08 AJ 10 45	8	5	5/16"	350,0	9/16" -18 UNF	64,0	15,0	19
PN 10 AJ 08 45	10	6	3/8"	350,0	1/2" -20 UNF	73,0	18,5	17
PN 10 AJ 45	10	6	3/8"	350,0	9/16" -18 UNF	70,5	17,5	19
PN 10 AJ 13 45	10	6	3/8"	345,0	3/4" -16 UNF	72,0	19,0	24
PN 10 AJ 16 45	10	6	3/8"	345,0	7/8" -14 UNF	72,5	19,5	27
PN 13 AJ 45	12	8	1/2"	345,0	3/4" -16 UNF	80,5	20,5	24
PN 13 AJ 16 45	12	8	1/2"	345,0	7/8" -14 UNF	81,5	21,5	27
PN 13 AJ 20 45	12	8	1/2"	345,0	1.1/16" -12 UN	82,5	22,5	32
PN 16 AJ 14 45	16	10	5/8"	345,0	1.3/16" -12 UN	93,5	30,0	36
PN 16 AJ 45	16	10	5/8"	345,0	7/8" -14 UNF	96,5	25,5	27
PN 16 AJ 20 45	16	10	5/8"	345,0	1.1/16" -12 UN	97,0	26,0	32
PN 20 AJ 14 45	19	12	3/4"	345,0	1.3/16" -12 UN	108,5	29,0	36
PN 20 AJ 45	19	12	3/4"	345,0	1.1/16" -12 UN	108,0	28,5	32
PN 20 AJ 25 45	19	12	3/4"	275,0	1.5/16" -12 UN	108,5	29,0	41
PN 25 AJ 14 45	25	16	1"	275,0	1.3/16" -12 UN	117,5	32,5	36
PN 25 AJ 45	25	16	1"	275,0	1.5/16" -12 UN	134,5	32,5	41
PN 25 AJ 32 45	25	16	1"	200,0	1.5/8" -12 UN	135,5	34,0	50
PN 32 AJ 45	31	20	1.1/4"	200,0	1.5/8" -12 UN	161,0	41,0	50
PN 32 AJ 40 45	31	20	1.1/4"	170,0	1.7/8" -12 UN	162,0	42,0	60
PN 40 AJ 45	38	24	1.1/2"	170,0	1.7/8" -12 UN	184,5	46,5	60
PN 50 AJ 45	51	32	2"	170,0	2.1/2" -12 UN	231,0	67,0	75

## Variantes do produto

PN AJ 45 VA Terminal para prensar, DKJ A45°, Aço inoxidável