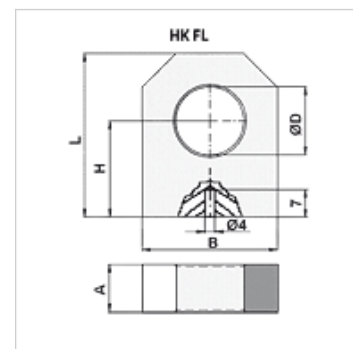


HK FL

Mancal pivotante FL

Características

Material Aço S355J0 (Fe510C)



Artigo

Descrição	A (mm)	B (mm)	H (mm)	L (mm)	Ø D (mm)	Peso (kg)
HK FL 16	15,0	35,0	34,0	50,0	16,20	0,19
HK FL 20	20,0	40,0	40,0	60,0	20,25	0,38
HK FL 25	25,0	50,0	45,0	65,0	25,25	0,58
HK FL 30	30,0	60,0	50,0	75,0	30,25	0,79
HK FL 35	35,0	70,0	55,0	85,0	35,25	0,98
HK FL 40	40,0	80,0	60,0	100,0	40,25	1,22