

TRI KLAMMER VA

Clamp bracket, VA

HANSA FLEX

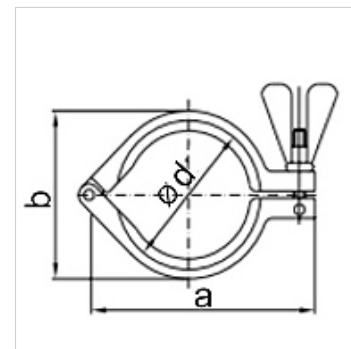
Características

Aplicação Clamping components for TRI-clamp connections

Norma DIN 32676

Modelo Clamp stainless steel

Material Aço inoxidável



Instruções de encomenda

Outros modelos sob consulta

Artigo

Descrição	a (mm)	b (mm)	Ø d (mm)
TRI KLAMMER 34 VA	63,0	45,0	34,0
TRI KLAMMER 50.5 VA	88,0	64,0	50,5
TRI KLAMMER 64 VA	105,0	77,0	64,0
TRI KLAMMER 91 VA	137,0	104,0	91,0
TRI KLAMMER 119 VA	168,0	132,0	119,0