

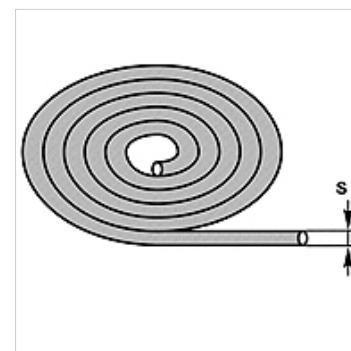
O-Ringschnur 70° Shore NBR

Cordão de O-ring, 70SH NBR

HANSA FLEX

Características

Tipo	Cordão para O-ring
Cor	preto
Temperatura min.	-35 °C
Temperatura max.	100 °C
Fluidos	resistente à óleos e graxas minerais Ozônio Oxigênio
Material	NBR 70 Shore A



Artigo

Descrição	S (mm)	Tolerância
OR SCHNUR 1.5	1,50	+/- 0.20 mm
OR SCHNUR 1.6	1,60	+/- 0.20 mm
OR SCHNUR 1.78	1,78	+/- 0.20 mm
OR SCHNUR 2	2,00	+/- 0.20 mm
OR SCHNUR 2.4	2,40	+/- 0.25 mm
OR SCHNUR 2.5	2,50	+/- 0.25 mm
OR SCHNUR 2.62	2,62	+/- 0.25 mm
OR SCHNUR 3	3,00	+/- 0.25 mm
OR SCHNUR 3.2	3,20	+/- 0.35 mm
OR SCHNUR 3.5	3,50	+/- 0.35 mm
OR SCHNUR 3.53	3,53	+/- 0.35 mm
OR SCHNUR 4	4,00	+/- 0.35 mm
OR SCHNUR 4.5	4,50	+/- 0.40 mm
OR SCHNUR 5	5,00	+/- 0.40 mm
OR SCHNUR 5.33	5,33	+/- 0.40 mm
OR SCHNUR 5.5	5,50	+/- 0.40 mm
OR SCHNUR 5.7	5,70	+/- 0.40 mm
OR SCHNUR 6	6,00	+/- 0.40 mm
OR SCHNUR 6.35	6,35	+/- 0.55 mm
OR SCHNUR 6.5	6,50	+/- 0.55 mm
OR SCHNUR 7	7,00	+/- 0.55 mm
OR SCHNUR 7.5	7,50	+/- 0.55 mm
OR SCHNUR 8	8,00	+/- 0.55 mm
OR SCHNUR 8.4	8,40	+/- 0.55 mm
OR SCHNUR 8.5	8,50	+/- 0.55 mm
OR SCHNUR 9	9,00	+/- 0.55 mm
OR SCHNUR 9.5	9,50	+/- 0.55 mm
OR SCHNUR 10	10,00	+/- 0.65 mm

Elementos complementares

OR KLEBER	O-ring, adesivo
-----------	-----------------