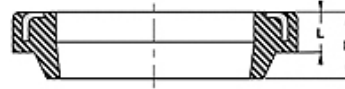
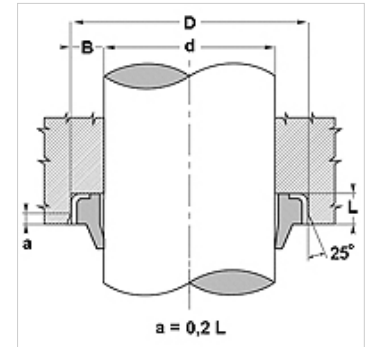


Características

Tipo	Raspador
Velocidade de deslizamento max.	0,5 m/s
Temperatura min.	-30 °C
Temperatura max.	100 °C
Fluidos	Óleos minerais Emulsões de água
Montagem	encaixado em uma ranhura aberta
Material	(1) Conexões: Aço (2) Raspador: 90° Shore A NBR
Aplicação	Hidráulica



Toleranz / Tolerance		
d	D	L
h11	H8	+0,20 0



Descrição

Necessita de pouco espaço
Sem entrada de sujeira através do anel metálico exterior.
Solução simples.

Instruções de encomenda

Em condições especiais de utilização (líquido, temperatura, pressão ...) entre em contato conosco.
Outro material disponível: FPM.

Artigo

Descrição	d (mm)	D (mm)	L (mm)	H (mm)
GA 12 18-3-R	12	18,0	3,5	5,0
GA 14 20-3-R	14	20,0	3,5	5,0
GA 15 21-3-R	15	21,0	3,5	5,0
GA 16 22-3-R	16	22,0	3,5	5,0
GA 18 28-5-R	18	28,0	5,0	7,0
GA 20 30-5-R	20	30,0	5,0	7,0
GA 22 32-5-R	22	32,0	5,0	7,0
GA 25 35-5-R	25	35,0	5,0	7,0
GA 28 38-5-R	28	38,0	5,0	7,0
GA 30 40-5-R	30	40,0	5,0	7,0
GA 30 40-7-R	30	40,0	7,0	10,0
GA 32 42-5-R	32	42,0	5,0	7,0
GA 36 46-5-R	36	46,0	5,0	7,0
GA 40 50-5-R	40	50,0	5,0	8,0
GA 42 52-5-R	42	52,0	5,0	7,0
GA 45 55-5-R	45	55,0	5,0	7,0
GA 50 60-5-R	50	60,0	5,0	7,0
GA 55 65-5-R	55	65,0	5,0	7,0
GA 56 66-5-R	56	66,0	5,0	7,0
GA 60 70-5-R	60	70,0	5,0	7,0
GA 63 73-5-R	63	73,0	5,0	7,0
GA 65 75-5-R	65	75,0	5,0	7,0
GA 70 80-5-R	70	80,0	5,0	7,0
GA 75 83-7-R	75	83,0	7,0	10,0
GA 80 88-7-R	80	88,0	7,0	10,0
GA 80 90-7-R	80	90,0	7,0	10,0