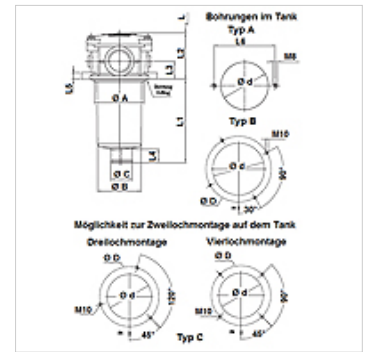


Características

Modelo	com válvula de desvio 1,75 bar, sem indicador de acúmulo de sujeira
Temperatura min.	-25 °C
Temperatura max.	110 °C
Material	Junta: NBR
Pressão operacional	máx. 8 bar
Escopo de fornecimento	incl. elemento de filtro



Nota

Medida "L": espaço livre necessário para troca do elemento filtrante

Descrição

Filtro de retorno para montagem na tampa do tanque, dimensões para gabarito de furação, ver gráfico.

Pressão diferencial para elemento de filtro de papel (P) máx. 3 bar

Pressão diferencial para elemento de filtro inorgânico (A) máx. 10 bar

Connector for clogging indicator G 1/8" closed with bolt

Concepção (Qmax.) para meios ISO VG 46 a 50 °C (30 mm²/s) em Δp_{ges} = 0,4 bar

Artigo

Descrição	Conexão de conduto	Ø A	Ø B	Ø C	Ø D	Ø d	Q max. (L/min)	L	L1	L2	L3	L4	L5	L6	Tipo	Peso (kg)
		(mm)	(mm)	(mm)	(mm)	(mm)										
FI RL 024 A10 N V G1/2	Rosca 1/2"	66,0	60,0	32,0	90,0	67,0	24	100,0	86,0	59,0	22,0	19,0	8,0	90,0	A	0,36
FI RL 048 P10 N V G1/2	Rosca 1/2"	66,0	60,0	32,0	90,0	67,0	60	100,0	86,0	59,0	22,0	19,0	8,0	90,0	A	0,40
FI RL 053 A10 N V G1/2	Rosca 1/2"	88,0	80,0	38,0	115,0	89,0	53	120,0	100,0	82,0	32,0	24,0	12,0	115,0	A	0,74
FI RL 110 P10 N V G1/2	Rosca 1/2"	88,0	80,0	38,0	115,0	89,0	86	120,0	100,0	82,0	32,0	24,0	12,0	115,0	A	0,61
FI RL 053 A10 N V G3/4	Rosca 3/4"	88,0	80,0	38,0	115,0	89,0	53	120,0	100,0	82,0	32,0	24,0	12,0	115,0	A	0,74
FI RL 086 P10 N V G3/4	Rosca 3/4"	88,0	80,0	38,0	115,0	89,0	86	120,0	100,0	82,0	32,0	24,0	12,0	115,0	A	0,74
FI RL 053 A10 N V G1	Rosca 1"	88,0	80,0	38,0	115,0	89,0	53	120,0	100,0	82,0	32,0	24,0	12,0	115,0	A	0,76
FI RL 086 P10 N V G1	Rosca 1"	88,0	80,0	38,0	115,0	89,0	86	120,0	100,0	82,0	32,0	24,0	12,0	115,0	A	0,76
FI RL 064 A10 N V G3/4	Rosca 3/4"	88,0	80,0	38,0	115,0	89,0	64	170,0	150,0	80,0	32,0	24,0	12,0	115,0	A	0,76
FI RL 150 P10 N V G3/4	Rosca 3/4"	88,0	80,0	38,0	115,0	89,0	110	170,0	150,0	80,0	32,0	24,0	12,0	115,0	A	0,61
FI RL 064 A10 N V G1	Rosca 1"	88,0	80,0	38,0	115,0	89,0	64	170,0	150,0	80,0	32,0	24,0	12,0	115,0	A	0,76
FI RL 150 P10 N V G1	Rosca 1"	88,0	80,0	38,0	115,0	89,0	110	170,0	150,0	80,0	32,0	24,0	12,0	115,0	A	0,61
FI RL 125 A10 N V G3/4	Rosca 3/4"	88,0	80,0	46,5	115,0	89,0	125	250,0	225,0	80,0	32,0	24,0	12,0	115,0	A	0,88
FI RL 225 P10 N V G3/4	Rosca 3/4"	88,0	80,0	46,5	115,0	89,0	220	250,0	225,0	80,0	32,0	24,0	12,0	115,0	A	0,67
FI RL 125 A10 N V G1	Rosca 1"	88,0	80,0	46,5	115,0	89,0	125	250,0	225,0	80,0	32,0	24,0	12,0	115,0	A	0,88
FI RL 225 P10 N V G1	Rosca 1"	88,0	80,0	46,5	115,0	89,0	220	250,0	225,0	80,0	32,0	24,0	12,0	115,0	A	0,67
FI RL 230 A10 N V G11/4	Rosca 1.1/4"	129,5	112,0	47,0	175,0	131,0	230	250,0	233,0	91,0	35,0	31,0	13,0	175,0	C	1,86
FI RL 190 P10 N V G11/4	Rosca 1.1/4"	129,5	112,0	47,0	175,0	131,0	280	250,0	233,0	91,0	35,0	31,0	13,0	175,0	C	2,20
FI RL 290 A10 N V G11/4	Rosca 1.1/4"	173,5	150,0	51,0	220,0	174,5	290	200,0	180,0	97,0	38,5	38,0	12,5	220,0	B	3,42
FI RL 280 P10 N V G11/4	Rosca 1.1/4"	173,5	150,0	51,0	220,0	174,5	370	200,0	180,0	97,0	38,5	38,0	12,5	220,0	B	3,00
FI RL 290 A10 N V G11/2	Rosca 1.1/2"	173,5	150,0	51,0	220,0	174,5	290	200,0	180,0	97,0	38,5	38,0	12,5	220,0	B	3,42
FI RL 370 P10 N V G11/2	Rosca 1.1/2"	173,5	150,0	51,0	220,0	174,5	370	200,0	180,0	97,0	38,5	38,0	12,5	220,0	B	3,42
FI RL 290 A10 N V G2	Rosca 2"	173,5	150,0	51,0	220,0	174,5	290	200,0	180,0	97,0	38,5	38,0	12,5	220,0	B	3,42
FI RL 370 P10 N V G2	Rosca 2"	173,5	150,0	51,0	220,0	174,5	370	200,0	180,0	97,0	38,5	38,0	12,5	220,0	B	3,42
FI RL 450 A10 N V G11/2	Rosca 1.1/2"	173,5	150,0	64,0	220,0	174,5	450	250,0	238,0	98,5	38,5	38,0	12,5	220,0	B	3,42
FI RL 320 P10 N V G11/2	Rosca 1.1/2"	173,5	150,0	64,0	220,0	174,5	610	250,0	238,0	98,5	38,5	38,0	12,5	220,0	B	3,50
FI RL 540 A10 N V G11/2	Rosca 1.1/2"	173,5	150,0	64,0	220,0	174,5	540	310,0	290,0	97,0	38,5	38,0	12,5	220,0	B	3,70
FI RL 420 P10 N V G11/2	Rosca 1.1/2"	173,5	150,0	64,0	220,0	174,5	675	310,0	290,0	97,0	38,5	38,0	12,5	220,0	B	3,70
FI RL 540 A10 N V G2	Rosca 2"	173,5	150,0	64,0	220,0	174,5	540	310,0	290,0	97,0	38,5	38,0	12,5	220,0	B	3,70
FI RL 675 P10 N V G2	Rosca 2"	173,5	150,0	64,0	220,0	174,5	675	310,0	290,0	97,0	38,5	38,0	12,5	220,0	B	3,70
FI RL 620 A10 N V SAE2	2" SAE 3000 PSI/M	173,5	150,0	64,0	220,0	174,5	620	450,0	430,0	105,0	48,5	38,0	12,5	220,0	B	5,68
FI RL 750 P10 N V SAE2	2" SAE 3000 PSI/M	173,5	150,0	64,0	220,0	174,5	750	450,0	430,0	105,0	48,5	38,0	12,5	220,0	B	5,68
FI RL 620 A10 N V G2	Rosca 2"	173,5	150,0	64,0	220,0	174,5	620	450,0	430,0	105,0	48,5	38,0	12,5	220,0	B	5,68
FI RL 750 P10 N V G2	Rosca 2"	173,5	150,0	64,0	220,0	174,5	750	450,0	430,0	105,0	48,5	38,0	12,5	220,0	B	5,68

A10 com filtro inorgânico (10 µm), filtragem absoluta – Filtro de papel P10 (10 µm), filtragem nominal – Qmax - máx. fluxo volumétrico



Acessórios

HK VA MAN Clogging indicator pressure gauge

FI RL RVL Extensão de tubo para filtro de retorno

Acessório para

FI RL E MP Elemento filtrante para filtro de retorno MP

FI RL GEH Carcaça para filtro de retorno