

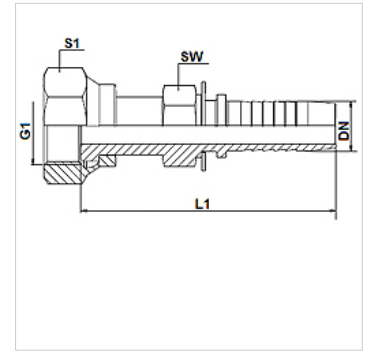
PN AJF SK

Terminal para prensar, ORFS

HANSA FLEX

Características

Campo de aplicação	Terminal para prensar para mangueiras HD 100 a HD 400, KP, TE
Conexão 1	Rosca fêmea UN/UNF
Tipo de vedação 1	face plana
Abreviatura	ORFS
Norma	ISO 8434-3
Características especiais	with holder hexagon
Material	Aço
Proteção de superfície	com revestimento galvanizado



Artigo

Descrição	DN	Tamanho	Polegada	Pressão operacional (bar)	G1	L1 (mm)	S1	SW (mm)
PN 06 AJF SK	6	4	1/4"	413,0	9/16" -18 UNF	58,0	19	14
PN 06 AJF 10 SK	6	4	1/4"	413,0	11/16" -16 UN	61,5	22	17
PN 08 AJF 10 SK	8	5	5/16"	413,0	11/16" -16 UN	61,5	22	17
PN 10 AJF SK	10	6	3/8"	413,0	11/16" -16 UN	65,0	22	17
PN 10 AJF 13 SK	10	6	3/8"	413,0	13/16" -16 UN	67,5	27	19
PN 13 AJF 10 SK	12	8	1/2"	413,0	11/16" -16 UN	74,0	19	22
PN 13 AJF SK	12	8	1/2"	413,0	13/16" -16 UN	68,5	27	19
PN 13 AJF 16 SK	12	8	1/2"	413,0	1" -14 UNS	74,0	30	24
PN 13 AJF 20 SK	12	8	1/2"	413,0	1.3/16" -12 UN	79,5	36	30
PN 16 AJF SK	16	10	5/8"	413,0	1" -14 UNS	78,5	30	24
PN 16 AJF 20 SK	16	10	5/8"	413,0	1.3/16" -12 UN	83,5	36	30
PN 20 AJF 16 SK	19	12	3/4"	413,0	1" -14 UNS	89,0	30	27
PN 20 AJF SK	19	12	3/4"	413,0	1.3/16" -12 UN	88,5	36	30
PN 20 AJF 25 SK	19	12	3/4"	413,0	1.7/16" -12 UN	91,5	41	36
PN 25 AJF 20 SK	25	16	1"	413,0	1.3/16" -12 UN	111,5	36	36
PN 25 AJF SK	25	16	1"	413,0	1.7/16" -12 UN	97,5	41	36
PN 25 AJF 32 SK	25	16	1"	275,0	1.11/16" -12 UN	111,5	41	50
PN 32 AJF SK	31	20	1.1/4"	275,0	1.11/16" -12 UN	107,0	50	41
PN 40 AJF SK	38	24	1.1/2"	275,0	2" -12 UN	115,5	60	50