

K-HAND-SCHIEBEVENTIL

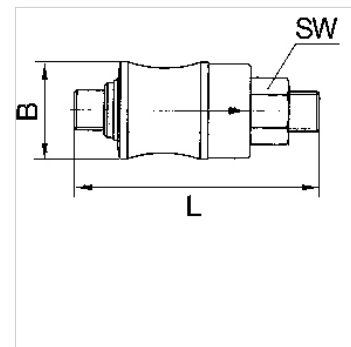
Manual slide valves

HANSA FLEX

Características

Pressão operacional máx. 10 bar

Temperatura operacional máx. +70 °C



Nota

Outras indicações a pedido.

Descrição

For use on devices that have to be vented whenever they are turned off, either because of safety regulations or for technical reasons. The pneumatic devices are disconnected from the system and simultaneously vented each time they are shut off.

Artigo

Descrição	Rosca	B (mm)	L (mm)	SW (mm)
K- 07 30 15 92	G 1/8	21,0	67,0	14
K- 07 30 15 93	G 1/4	24,0	77,0	17
K- 07 30 15 94	G 3/8	31,0	87,0	22
K- 07 30 15 95	G 1/2	35,0	104,0	26