

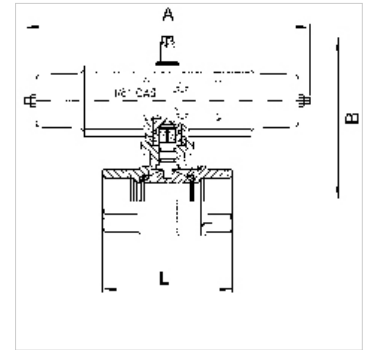
# K-BKR ANTR D MS

Brass ball valves, double-acting actuator

**HANSA FLEX**

## Características

<b>Tipo</b>	Pneumatic, double-piston, part-turn actuator, double-rocker principle
<b>Pressão operacional</b>	Max. 16 bar
<b>Temperatura operacional</b>	-20 °C to +150 °C
<b>Ângulo rotativo</b>	90 °
<b>Pressão de controle</b>	5.6 bar
<b>Adaptador da válvula</b>	Supplied as standard
<b>Faixa de temperatura</b>	-20 °C to +80 °C
<b>Acionamento</b>	aluminium eloxed
<b>Vedação de acionamento</b>	NBR
<b>Válvula de esferas</b>	Chrome-plated brass, with ISO-flange plate
<b>Vedação de válvula de esferas</b>	PTFE/FKM



## Nota

Outras indicações a pedido.

## Artigo

Descrição	DN	Rosca	A (mm)	B (mm)	L (mm)
K- 07 30 02 11	10	Rp 3/8	70,0	87,0	69,0
K- 07 30 02 12	15	Rp 1/2	70,0	87,0	69,0
K- 07 30 02 13	20	Rp 3/4	70,0	94,0	77,0
K- 07 30 02 14	25	Rp 1	70,0	98,0	89,0
K- 07 30 02 15	32	Rp 1 1/4	114,0	123,0	103,0
K- 07 30 02 16	40	Rp 1 1/2	114,0	129,0	114,0
K- 07 30 02 17	50	Rp 2	130,0	145,0	134,0